

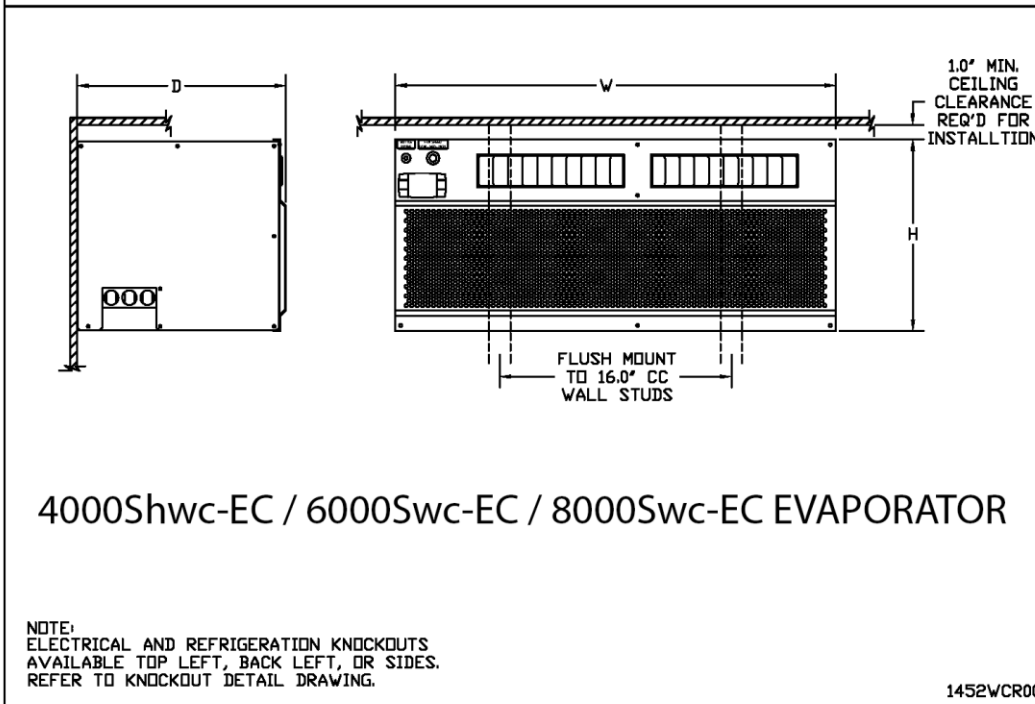
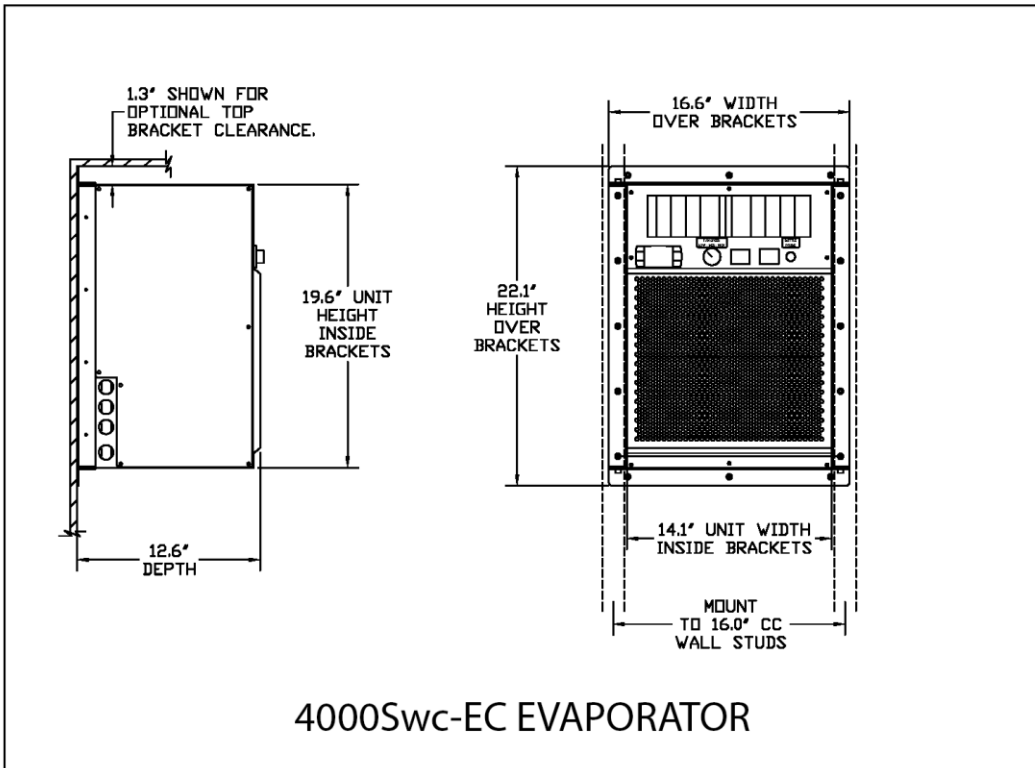
Cut Sheets

4000Swc-EC 6000Swc-EC
4000Shwc-EC 8000Swc-EC

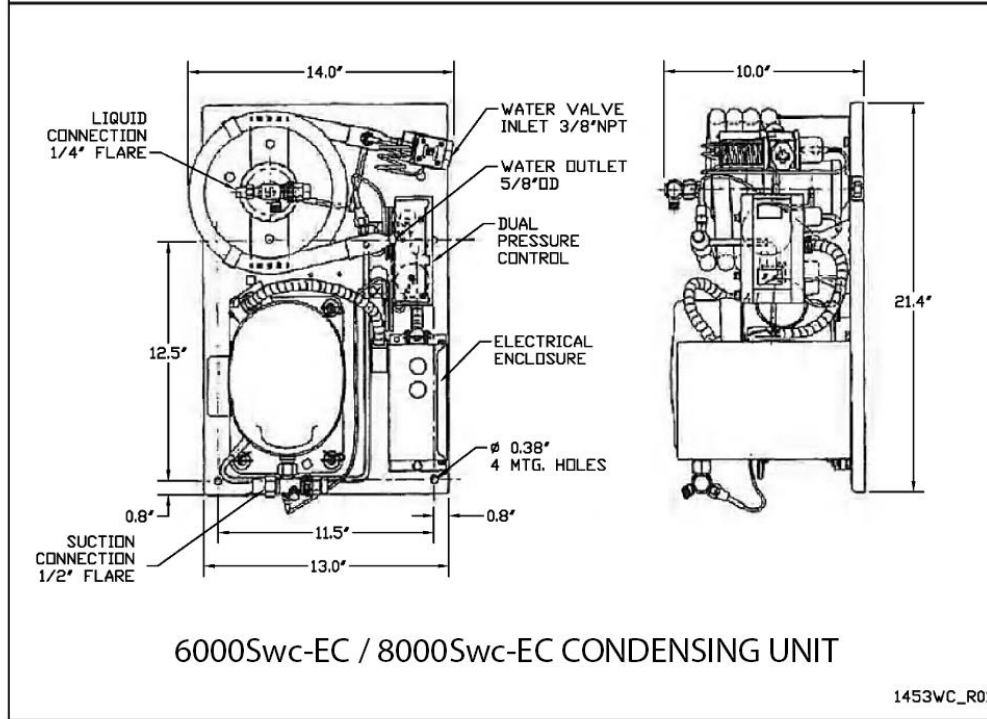
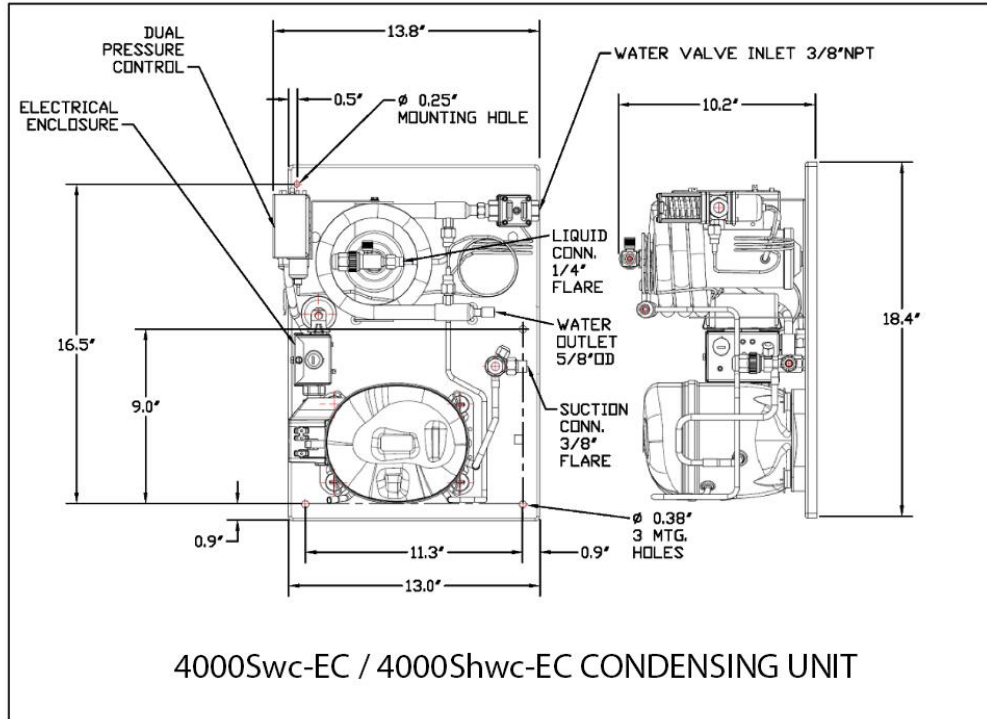
Evaporator			
Model	Dimensions W x D x H (inches)	Weight (lbs.)	Running Amps (with fan on "high")
4000Swc-EC	16.6 x 12.6 x 22.1 (incl. mounting brackets)	42	6.7
4000Shwc-EC	30.4 x 14.4 x 13.2 (incl. mounting bracket)	65	6.2
6000Swc-EC	30.4 x 14.4 x 13.2 (incl. mounting bracket)	68	11.1
8000Swc-EC	46.4 x 14.4 x 13.2 (incl. mounting bracket)	85	10.8

Condensing unit - Indoor			
Model	Dimensions W x D x H (inches)	Water Usage (gpm)	Weight (lbs.)
4000Swc-EC, 4000Shwc-EC	13.8 x 18.4 x 10.2	0.46	45
6000Swc-EC	14.0 x 21.4 x 10.5	0.68	82
8000Swc-EC	14.0 x 21.4 x 10.5	0.68	82

Evaporator



Condensing Unit



1453WC_R01