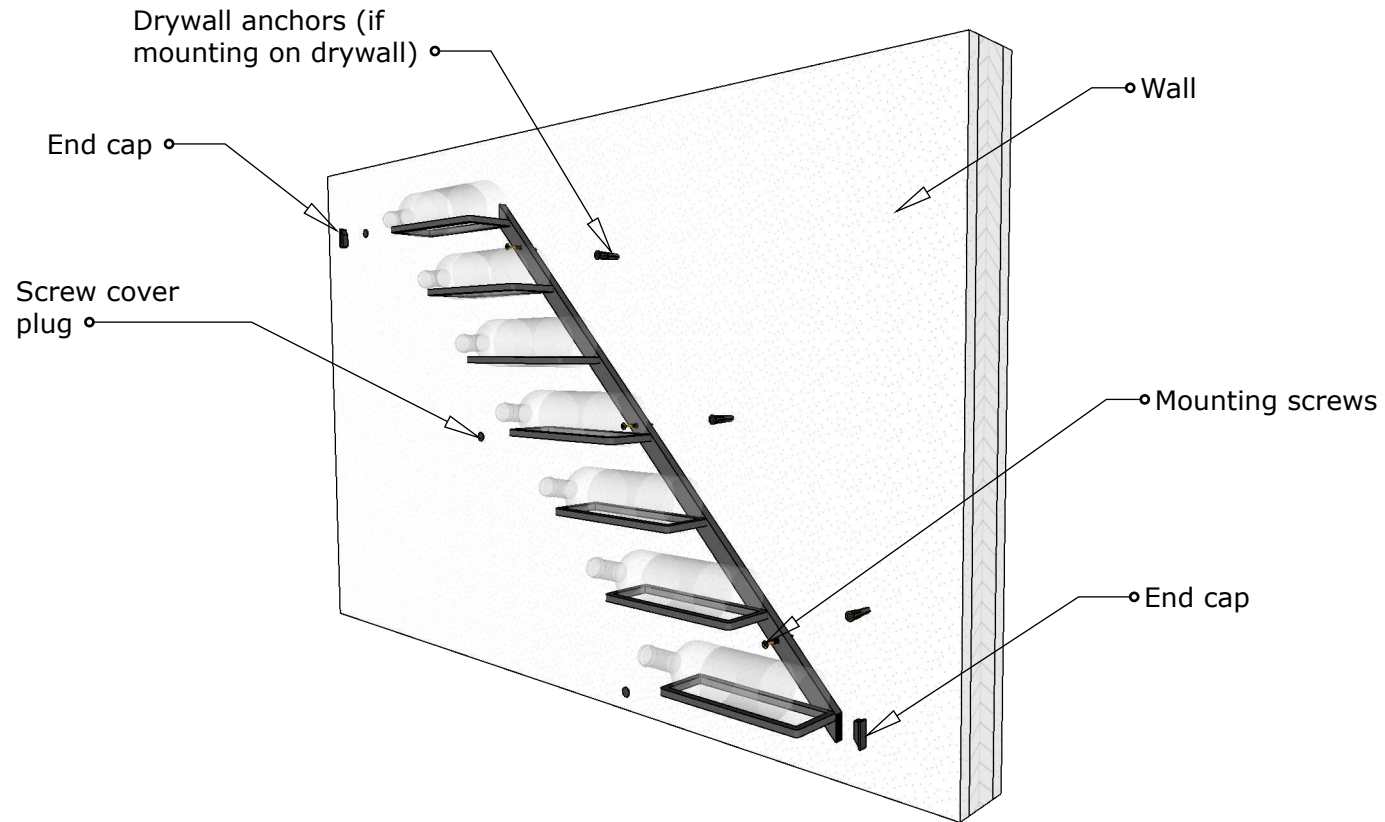


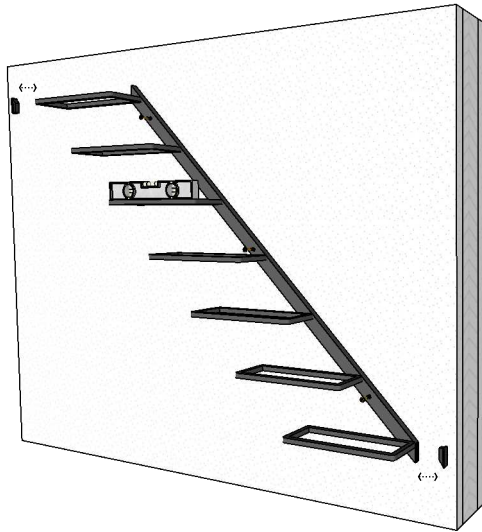
Vino Mode Wine Display Rack

7 Bottle Diagonal



Vino Mode Wine Display Rack

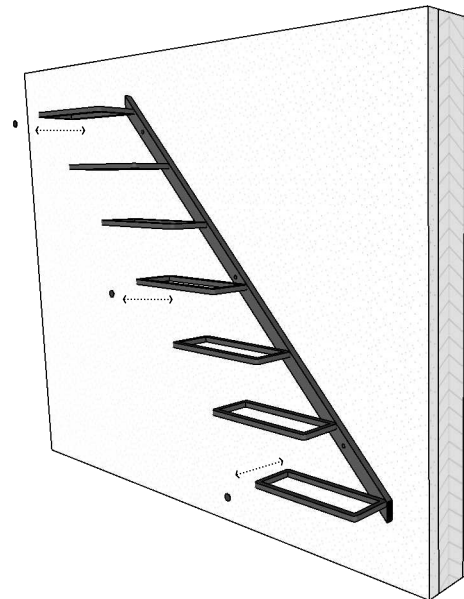
7 Bottle Diagonal



Step 1

Mount the rack using predrilled mounting holes, use a level to ensure level installation, slide in 2 end caps
If using drywall anchors, install them first on the wall in locations corresponding with predrilled mounting holes on the rack

PG. 2 of 2
(installation)



Step 2

Install screw cover plugs