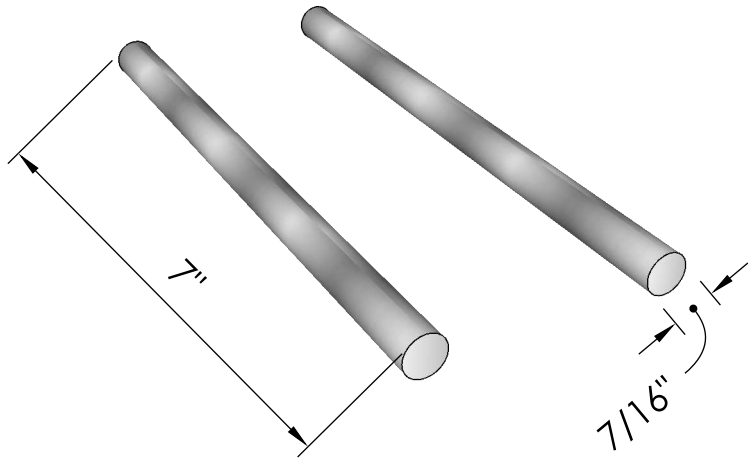


VINdustry Pegs: Cork Forward

Specification Sheet

Peg Dimensions



Minimum Spacing Between Pegs

