

# ASSEMBLY INSTRUCTIONS

## Standard 27" Modular Racking

Thank you for purchasing this fine quality made in America product. When properly assembled and installed, your racking will complement your wine collection for many years to come. To ensure proper assembly please ascertain that all necessary parts have been included and follow the instructions closely. If you have any questions or problems please call us (845)658-7181, Monday through Friday 9am to 5 pm EST.



If you are planning to stain or finish your racking we recommend you do so BEFORE assembly for best results.

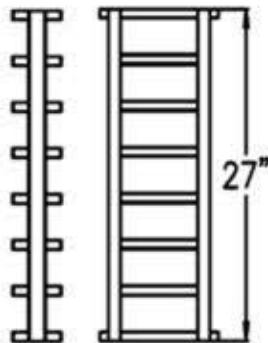
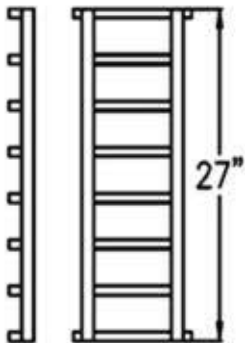


\*Note: Instructions shown for a 6 column rack. Assembly procedure remains the same for all standard racking.

## PARTS LIST

END LADDER ASSEMBLIES

MIDDLE LADDER ASSEMBLIES



SPACER BAR ASSEMBLY  
(Various Lengths)



SPACER BAR SCREW ASSEMBLY  
(Various Lengths)



All individual bottle racks are designed to be assembled with a nail gun, using either 18 gauge 1 1/2" brad nails or similar finishing nail. Nails are not included.

If you purchased pre-drilled screw assembly, 1 1/2" Phillips head screws will be supplied in your order.

\*PLEASE READ ALL PACKING AND INSTRUCTION MATERIAL BEFORE BEGINNING. PLEASE CONTACT US IF YOU HAVE ANY QUESTIONS OR CONCERNS BEFORE BEGINNING ASSEMBLY.\*

# PACKAGE CONTENTS

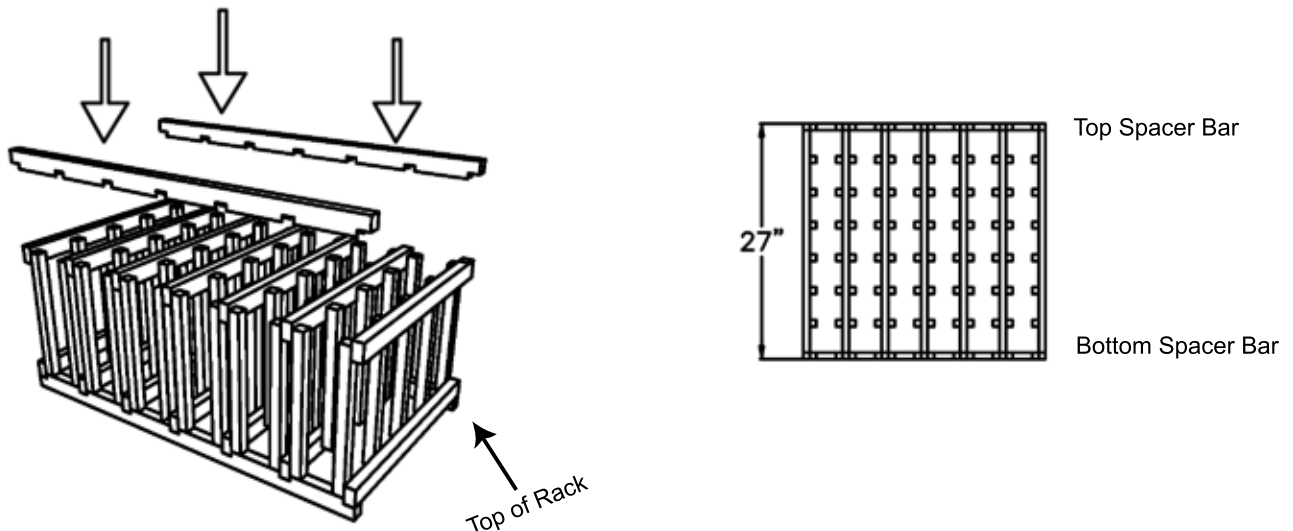
SKU	PRODUCT NAME	MIDDLE LADDERS	END LADDERS	SPACER BARS	SCREWS (if used)
8_3-000-0525-2700	1 Column 27" Tall Modular Rack	0	2	4	8
8_3-000-0975-2700	2 Column 27" Tall Modular Rack	1	2	4	12
8_3-000-1425-2700	3 Column 27" Tall Modular Rack	2	2	4	16
8_3-000-1875-2700	4 Column 27" Tall Modular Rack	3	2	4	20
8_3-000-2325-2700	5 Column 27" Tall Modular Rack	4	2	4	24
8_3-000-2775-2700	6 Column 27" Tall Modular Rack	5	2	4	28
8_3-000-3225-2700	7 Column 27" Tall Modular Rack	6	2	4	32
8_3-000-3675-2700	8 Column 27" Tall Modular Rack	7	2	4	36
8_3-000-4125-2700	9 Column 27" Tall Modular Rack	8	2	4	40
8_3-000-4575-2700	10 Column 27" Tall Modular Rack	9	2	4	44
8_3-000-5025-2700	11 Column 27" Tall Modular Rack	10	2	4	48
8_3-000-5475-2700	12 Column 27" Tall Modular Rack	11	2	4	52
8_3-000-5925-2700	13 Column 27" Tall Modular Rack	12	2	4	56
8_3-000-6375-2700	14 Column 27" Tall Modular Rack	13	2	4	60
8_3-000-6825-2700	15 Column 27" Tall Modular Rack	14	2	4	64
8_3-000-7275-2700	16 Column 27" Tall Modular Rack	15	2	4	68
8_3-000-7725-2700	17 Column 27" Tall Modular Rack	16	2	4	72

**\*Note:** Please verify that you have the correct number of parts before proceeding.

## PLEASE FOLLOW WRITTEN INSTRUCTIONS CAREFULLY

1. Find an open, flat area in which to assemble your racking. Carefully remove all components from the box and check all parts to verify package contents.
2. Arrange the end ladders on the floor so that the bottle support pieces face one another. Attach spacer bar to top and bottom.

\*Tip: Begin with back of rack



3. Attach middle ladders if applicable.
4. Flip and repeat for reverse side.

**\*Note:** For more stability attach racks to wall.