

ULTRA FTC

Floor-to-Ceiling



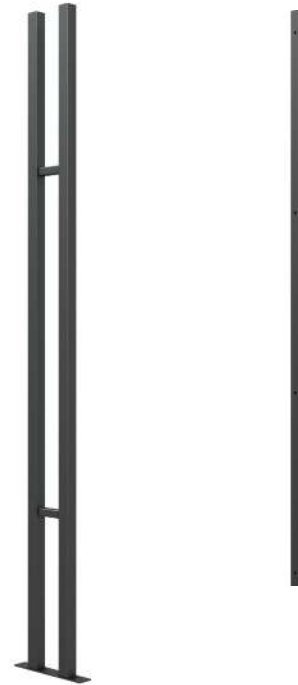
FEATURES

- + Create a stunning modern wine rack with no walls needed to support it.
- + Stores bottles horizontally allowing moisture to the cork and maximizing label visibility.
- + High-quality materials make for sturdy construction and simple assembly.
- + Scratch and mar resistant.
- + One-sided or two sided.
- + CAD blocks available.

FINISH OPTIONS

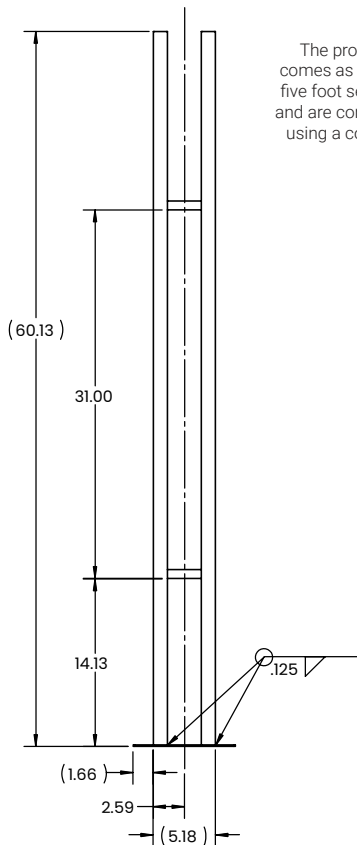


Matte
Black

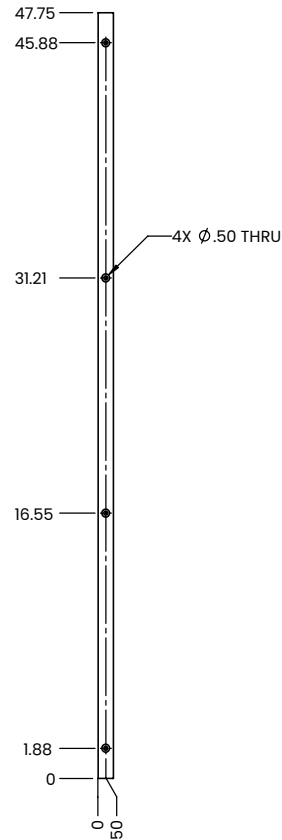
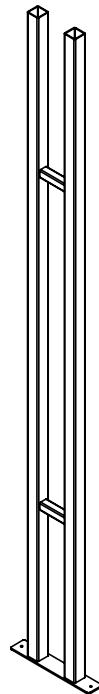


Can hold 6-180 bottles of wine when **paired with HZ Wall Rails**.

The backer channel is used to **support the backside of the one-sided FTC**.



The product comes as two (2) five foot sections and are connected using a coupler.



COOLWINECELLAR.COM

800-323-3130

Rev #010121