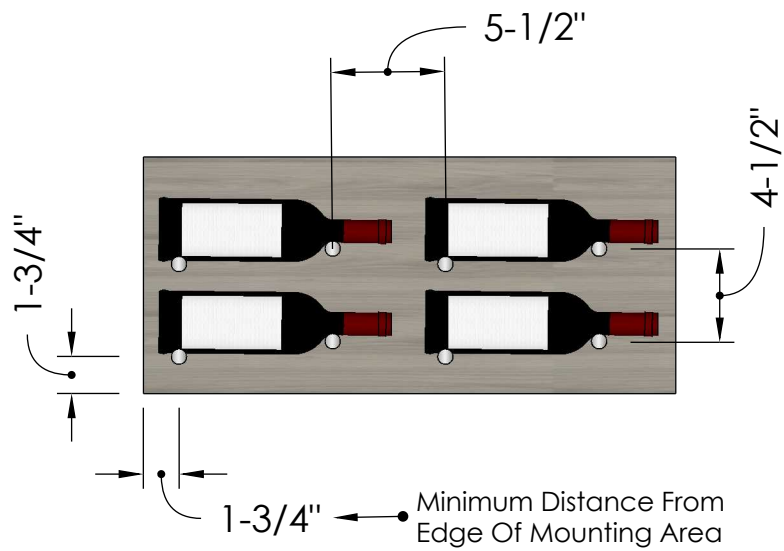


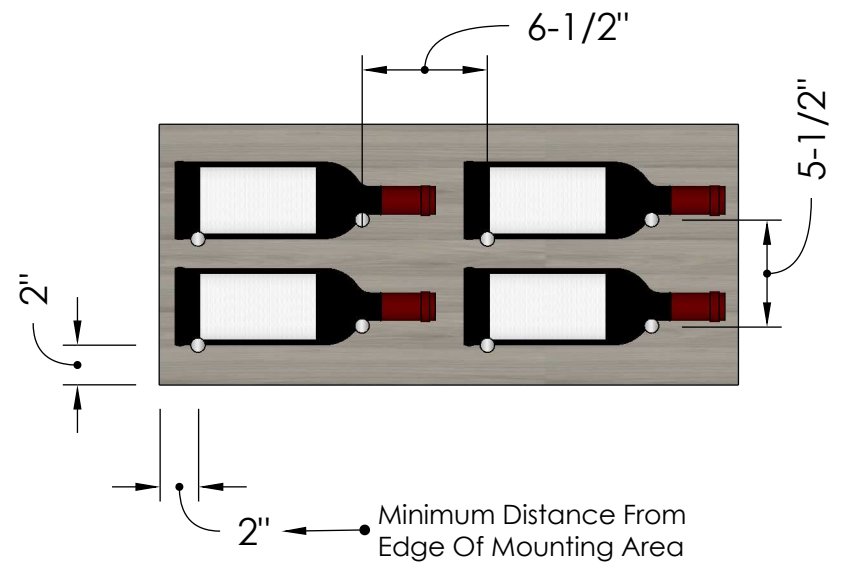
VINdustry Pegs

Minimum Spacing Between Bottles

Spacing Between -750ml Bottles



Spacing Between -Magnum Bottles (1.5L)



All Dimensions Are From The Center Of The Peg