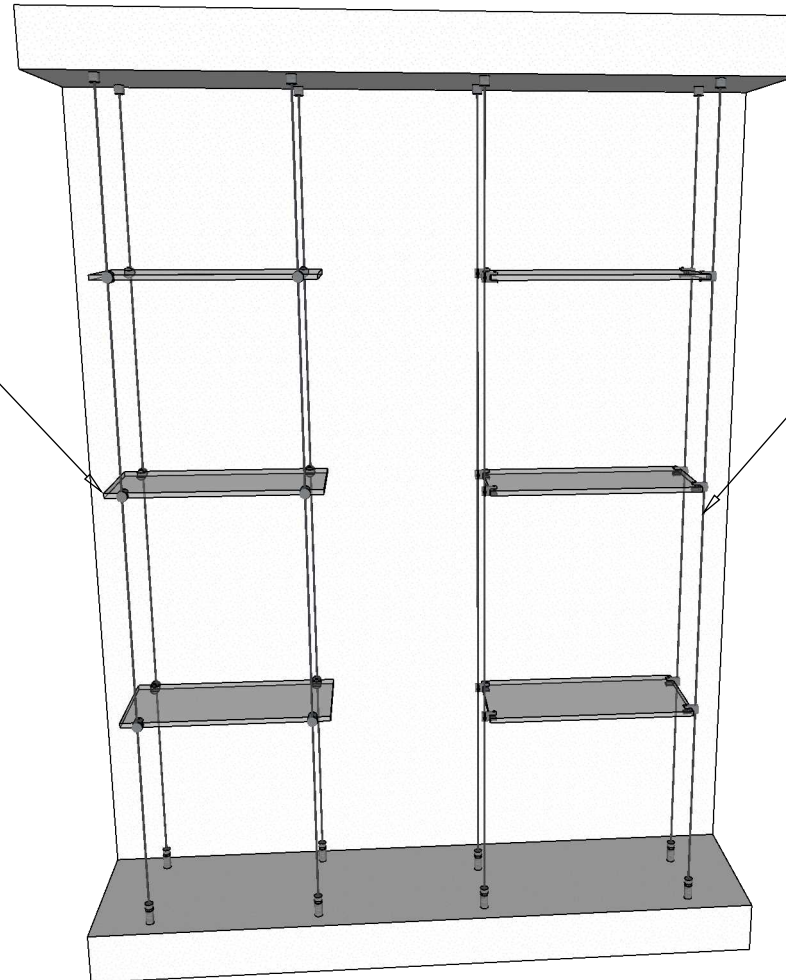


Float Glass Shelving Wine Racking Installation Instructions

For cable installation procedure please follow "Float Racking Installation Instructions"

INSTALL OPTION 1
(clips on front and back
edge of the shelf)

INSTALL OPTION 2
(clips on right and left
edge of the shelf)

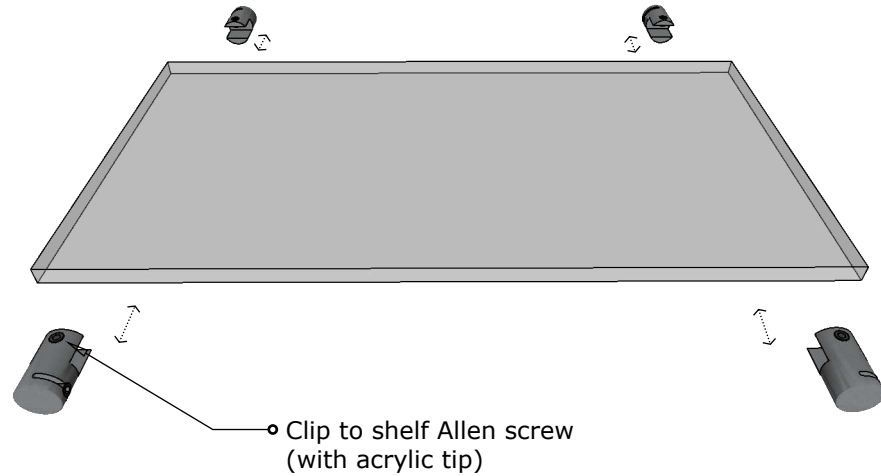


PG. 1 of 4
(installation)

Float Glass Shelving Wine Racking Installation Instructions

For cable installation procedure please follow "Float Racking Installation Instructions"

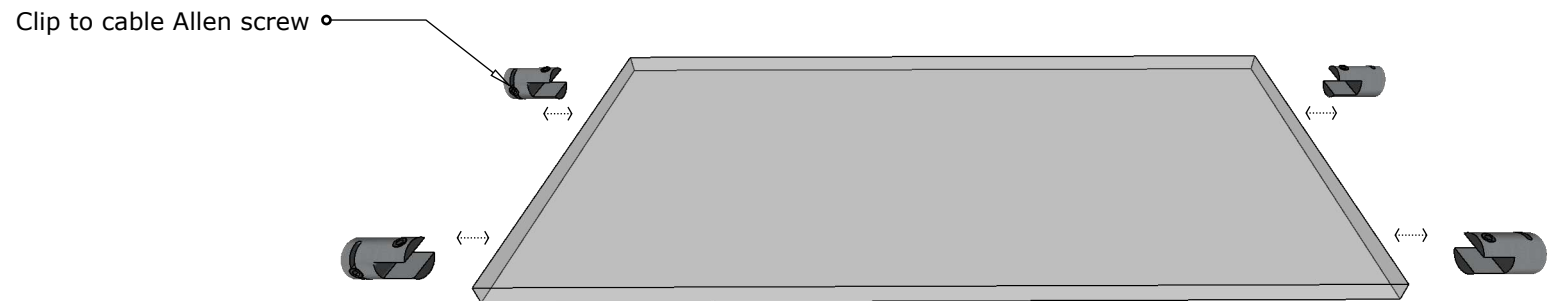
OPTION 1



Step 1

Attach 2 **shelf/cable clips** to each side of each glass shelf. Each glass shelf requires 4 clips. Follow dimensions on next pages to ensure all clips are installed on each glass shelf in the same position so that shelves are in line when attaching them to the cables. Allen screws are provided.
(IMPORTANT: Do not over-tighten the Allen screw. You may crack the glass).

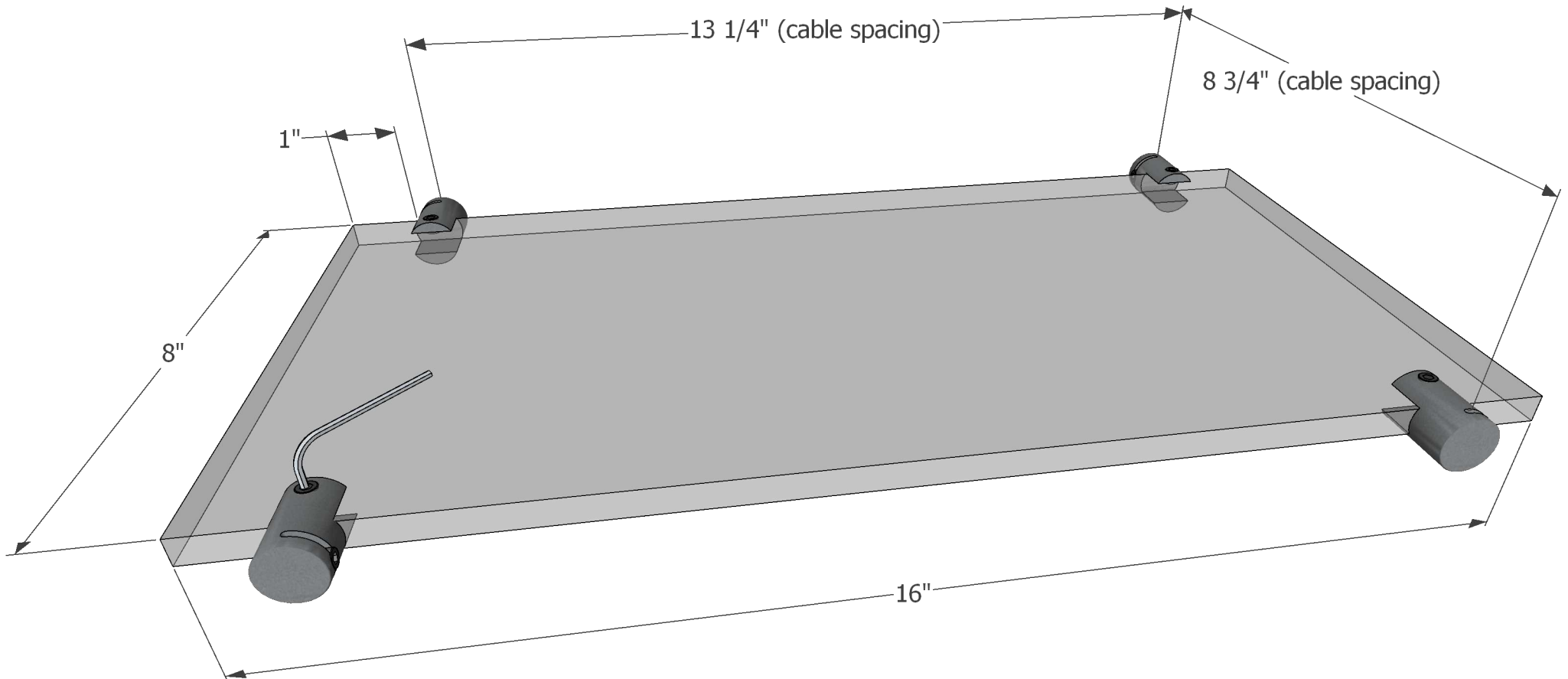
OPTION 2



Float Glass Shelving Wine Racking Installation Instructions

For cable installation procedure please follow "Float Racking Installation Instructions"

OPTION 1

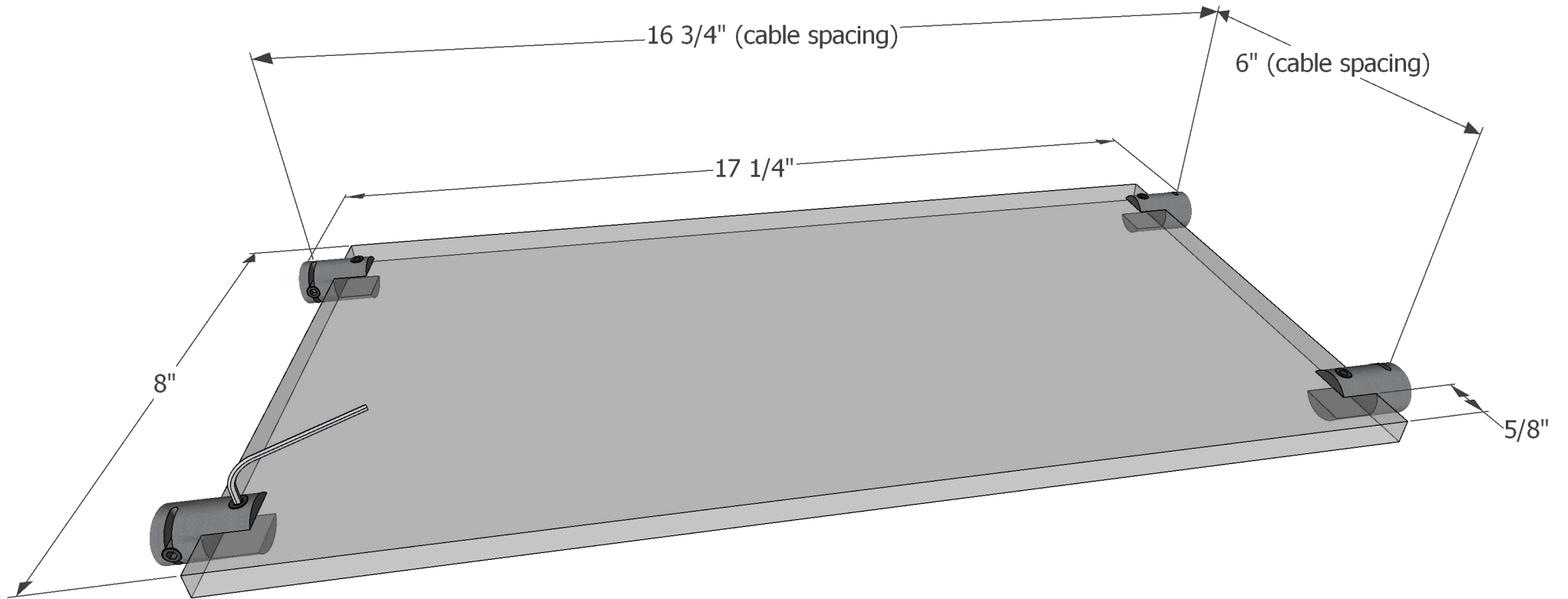


PG. 3 of 4
(installation)

Float Glass Shelving Wine Racking Installation Instructions

For cable installation procedure please follow "Float Racking Installation Instructions"

OPTION 2



PG. 4 of 4
(installation)