

MAX REVEAL RAIL SERIES

1FT, 2FT, 3FT, 4FT RACK SPECIFICATIONS

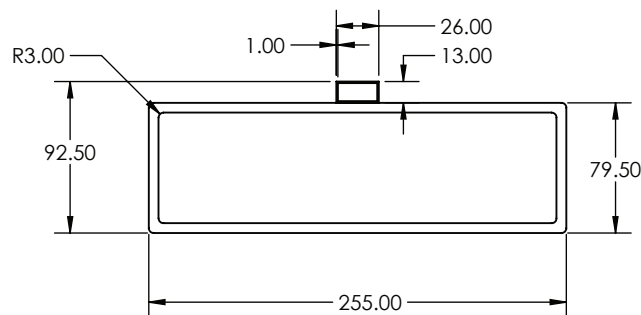
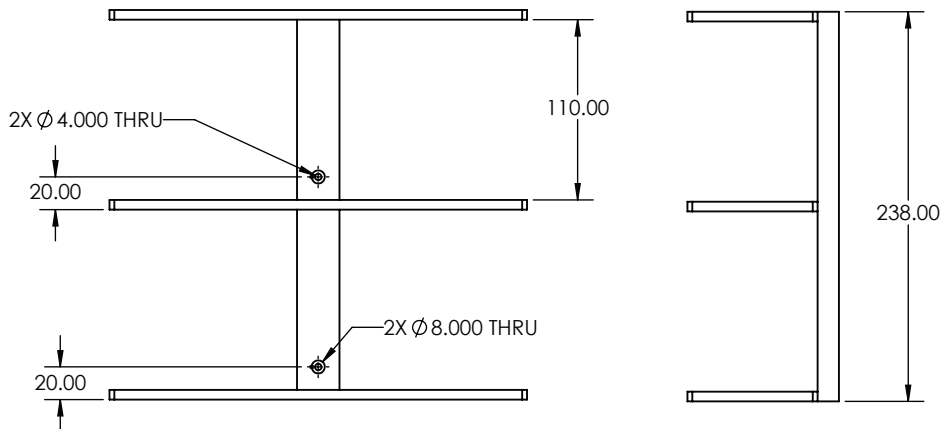


FEATURES

- + Slim, modern wine rack designed for maximum visual impact.
- + Single-rail design minimizes creates a clean, floating appearance.
- + Stores bottles horizontally to maintain cork moisture & showcase labels.
- + Wall-mounted system installs easily and includes mounting hardware.
- + Scratch- and mar-resistant powder-coated finish.
- + Suitable for residential and commercial applications.
- + CAD blocks available.



1 FOOT SPECS *All measurements are shown in millimeters.



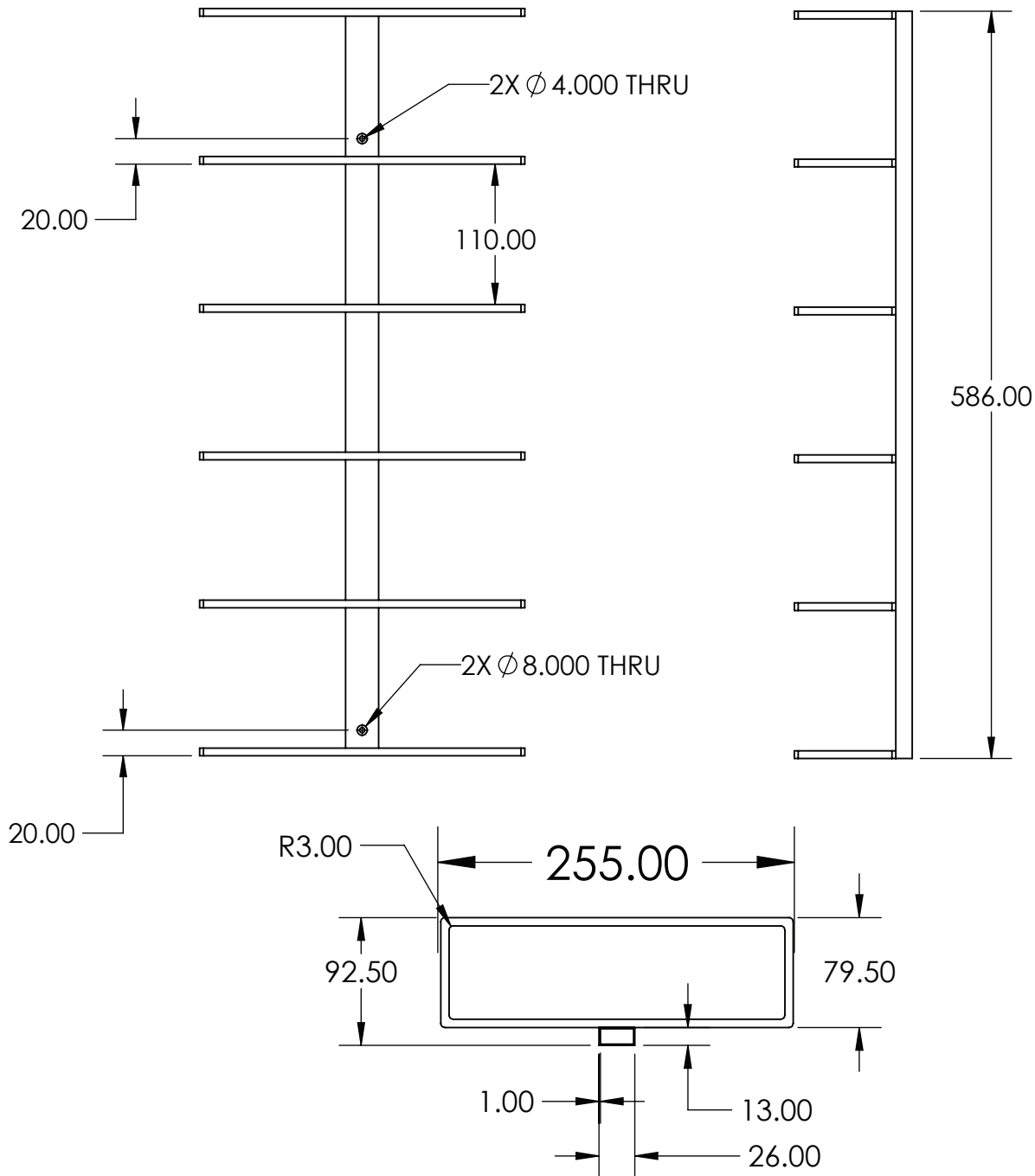
***Continue to the next page for more detailed specs on the 2 ft, 3 ft & 4 ft variations.**

MAX REVEAL RAIL SERIES

2FT RACK SPECIFICATIONS



2 FOOT SPECS*All measurements are shown in millimeters.



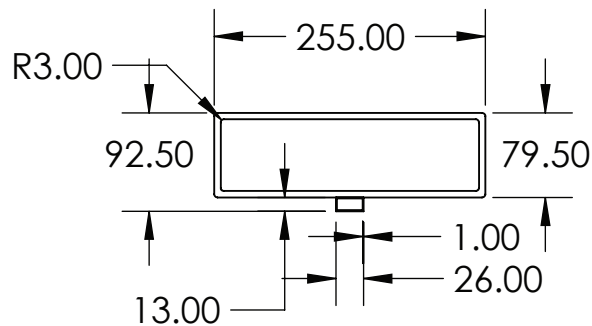
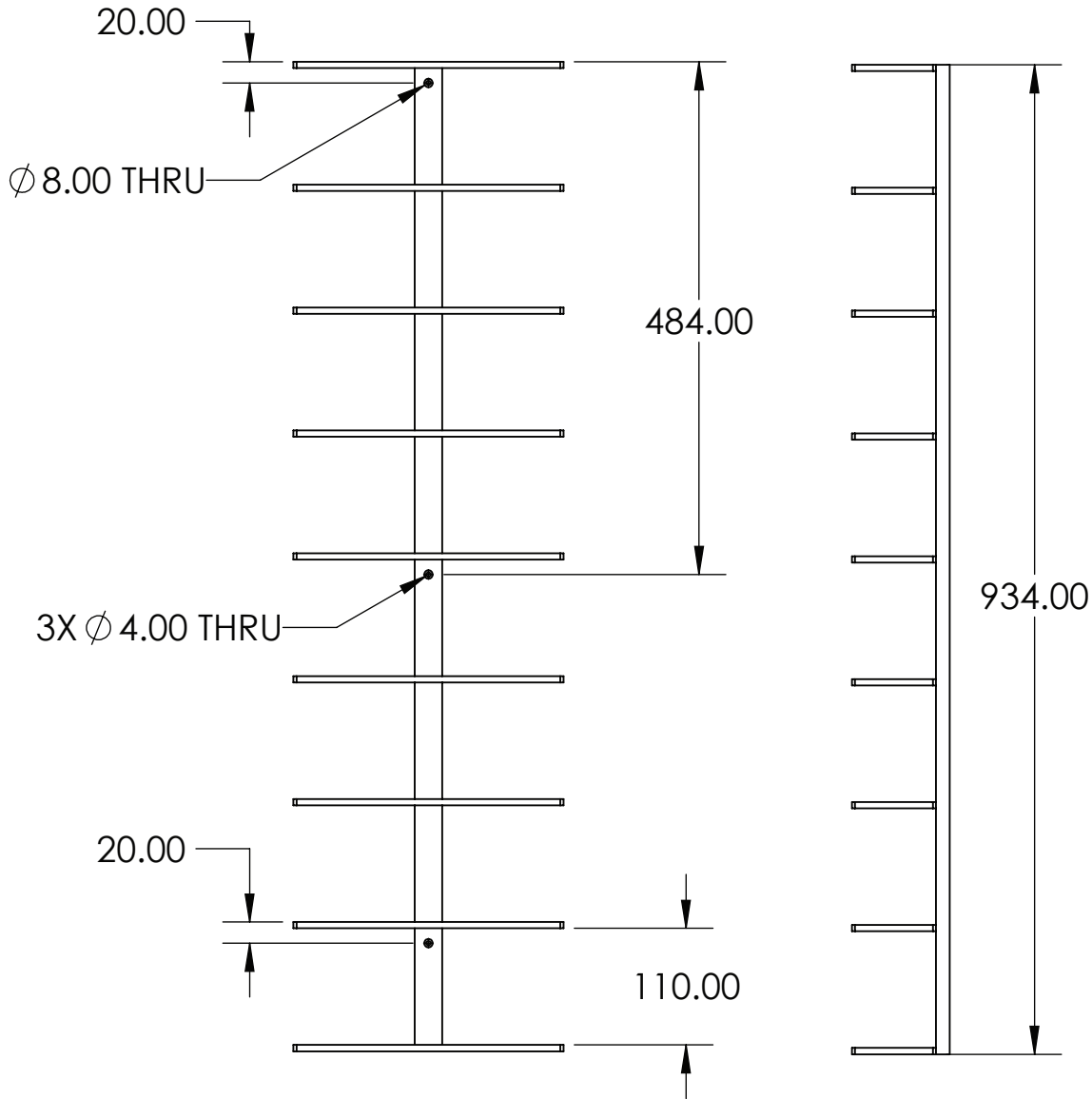
***Continue to the next page for more detailed specs on the 3ft, & 4 ft variations.**

MAX REVEAL RAIL SERIES

3FT RACK SPECIFICATIONS



3 FOOT SPECS*All measurements are shown in millimeters.



***Continue to the next page for more detailed specs on the 4 ft variations.**

MAX REVEAL RAIL SERIES

4FT RACK SPECIFICATIONS



4 FOOT SPECS*All measurements are shown in millimeters.

