

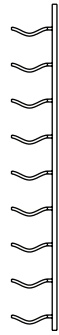


E-SERIES WALL RAIL INSTALL INSTRUCTIONS

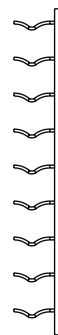
IMPORTANT! PLEASE NOTE THE FOLLOWING:

Check the Package Contents for missing or damaged items; also, when securing the racks please use the appropriate mounting fasteners. Contact Customer Service at 1-800-343-9463 for questions or concerns.

PACKAGE CONTENTS



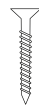
1 x Rail (A)



1 x Rail (B)



4-8 x Rail Dome Caps



4-8 x Screws



4-8 x Drywall Anchors

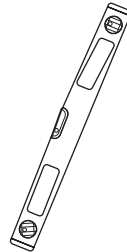
RECOMMENDED INSTALLATION TOOLS (NOT INCLUDED)



Power Drill



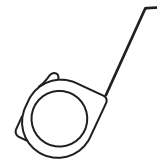
Stud Finder



Level



Pencil



Tape Measure

RECOMMENDED FASTENER APPLICATIONS:

Drywall anchors (included) - Use for installing to drywall if studs are not present in the desired location. Do not use drywall anchors to secure into a wall stud location.

Wood Screws (included) - Use wood screws to secure wall studs or wood panels, do not use on drywall without securing to a stud.

Concrete, Brick or Stucco (Not Included) - 3/16" x 1-1/4" Masonry Screw or #8x1-1/4" screw with the proper concrete anchors.

SCAN THE QR CODE TO WATCH OUR E-SERIES INSTALLATION VIDEO



INSTALLATION INSTRUCTIONS



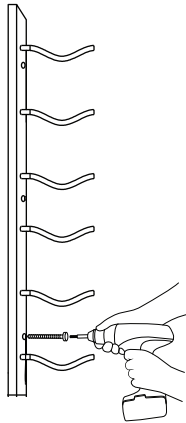
STEP 01 IDENTIFY DESIRED MOUNTING LOCATION.

Determine where you want the rails installed. Use a tape measure to confirm required clearances from nearby walls or obstructions. **REQUIRED CLEARANCE:** Minimum side clearance from walls or obstructions is 2 $\frac{3}{4}$ " for Standard-Champagne bottles, 3 $\frac{1}{4}$ " for Magnum bottles.



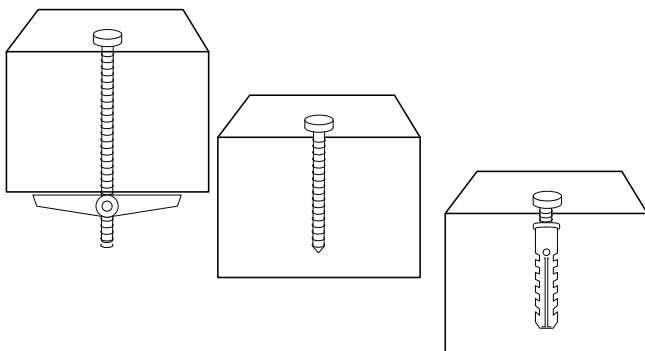
STEP 03 TEMPORARILY POSITION THE FIRST RAIL

Hold the first rail (A or B) in the desired mounting location, ensuring proper clearance from adjacent walls or obstructions. Install the bottom screw only directly through the rail into the wall surface. Do not install an anchor at this time. This screw will temporarily support the rail



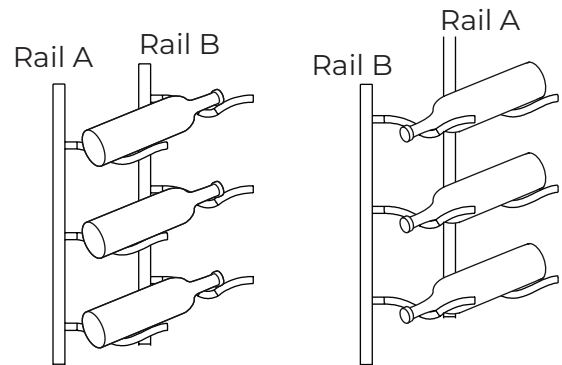
STEP 05 SELECT YOUR RAIL MOUNTING HARDWARE

Choose mounting hardware suitable for your wall surface (drywall, stucco, concrete, or brick). Use the provided drywall anchors when installing into drywall. Other surfaces require appropriate anchors (not included).



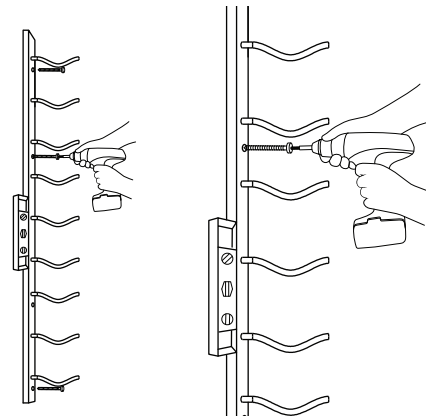
STEP 02 CHOOSE YOUR BOTTLE DIRECTION

Determine whether bottle necks will face left or right. Identify the rails before installing: Rail A supports the bottle base; Rail B supports the neck.



STEP 04 LEVEL AND DRILL REMAINING HOLES

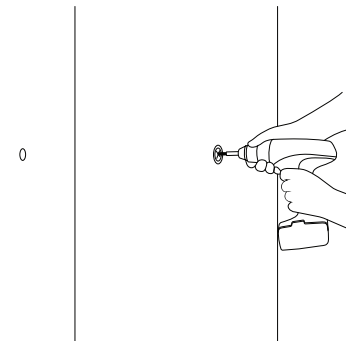
With the bottom screw loosely installed, rotate the rail into its final vertical position. Use a level to confirm the rail is perfectly level. Once aligned, install screws through the remaining mounting holes just enough to mark the wall surface. After all hole locations are marked: Remove all screws, then remove the rail from the wall.



STEP 06 INSTALL PROVIDED DRYWALL ANCHORS

If mounting into drywall, position the self-drilling anchors at each marked location and drive them directly into the wall using a screwdriver or drill until they sit flush with the surface. Ensure all anchors are fully seated before proceeding.

IMPORTANT NOTE: Skip this step if mounting directly into studs or other solid materials.



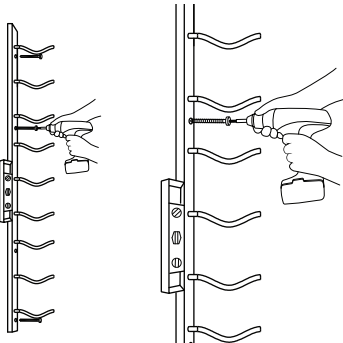
CONTINUE ONTO NEXT PAGE

INSTALLATION INSTRUCTIONS



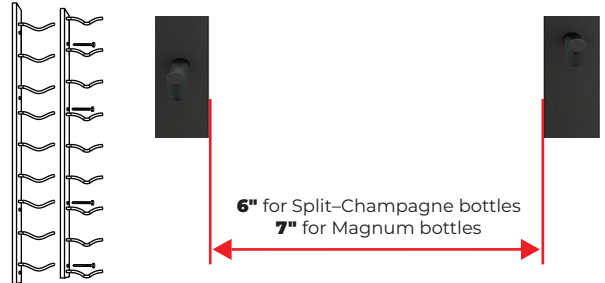
STEP 07 MOUNT & INSTALL THE FIRST RAIL

Reposition the rail over the prepared anchor locations. Install screws and tighten securely while verifying the rail remains perfectly level.



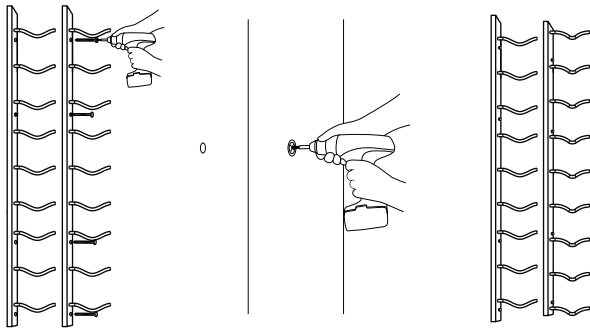
STEP 08 POSITION AND MARK THE SECOND RAIL

Measure from the inner edge of the first rail to set spacing. Inner edge spacing must be 6" for Split-Champagne, 7" for Magnum, with no more than 1/4" variance. Position the second rail centered at the measured location, verify it is plumb, and then repeat step 3.



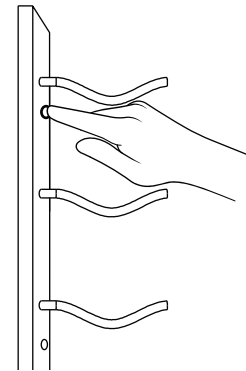
STEP 09 MOUNT & INSTALL THE SECOND RAIL

If mounting into drywall, install expansion anchors at the marked locations as outlined in Step 5. Align the rail and secure it with screws, ensuring it remains plumb before fully tightening.



STEP 10 INSTALL THE PLASTIC SCREW HOLE COVERS

Press the plastic covers into the exposed screw holes until fully seated.



STEP 11 ADD WINE BOTTLES & ENJOY!



Show us your finished wine rack!

We'd love to see how your installation turned out.

 **Send photos or videos to:**
marketing@ultrawineracks.com

Your wine wall may be featured on our website or social media.

By sending photos, you give Ultra Wine Racks permission to share them in our marketing.