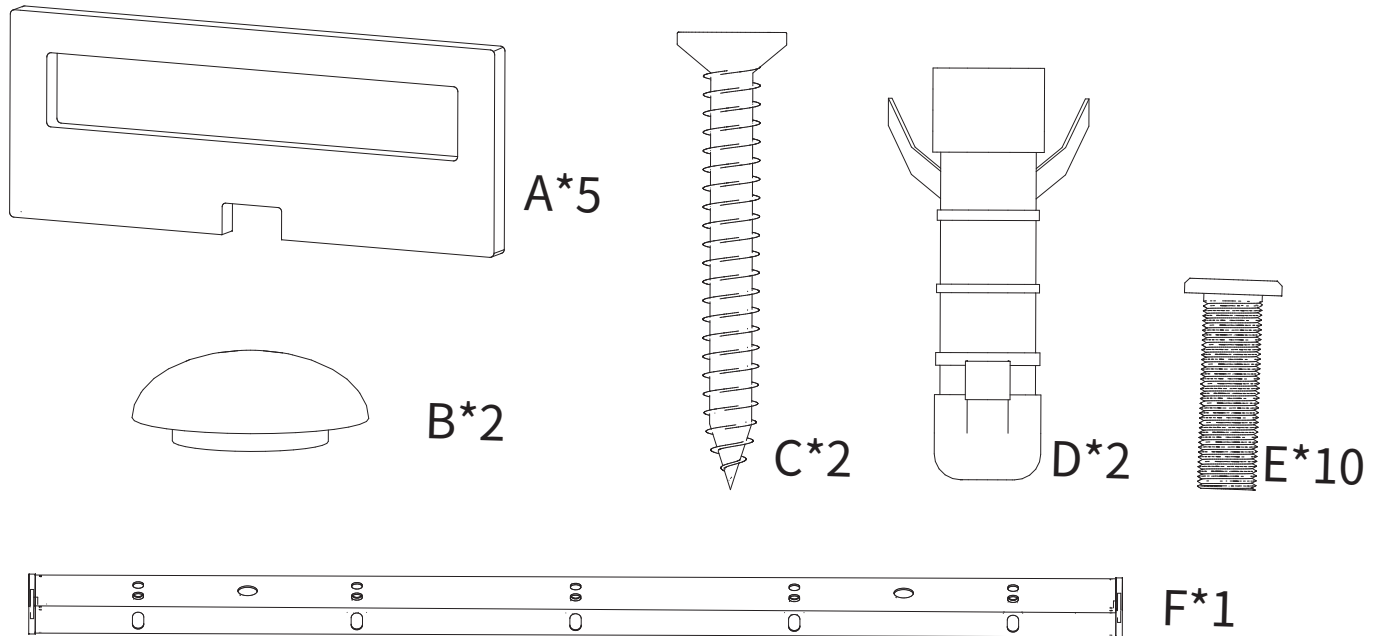
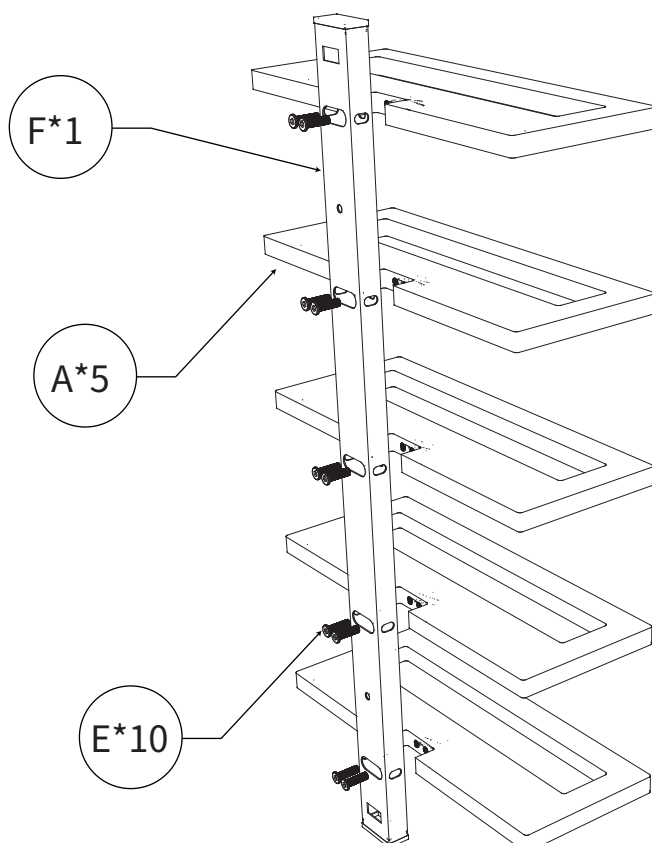


Installation instruction

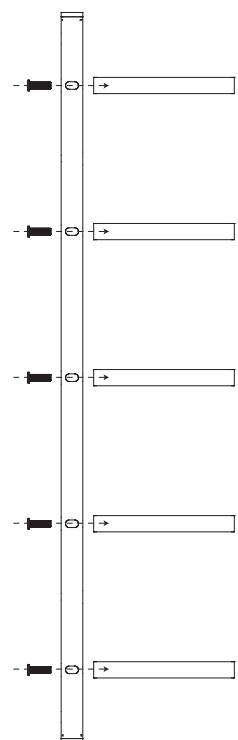
Parts included



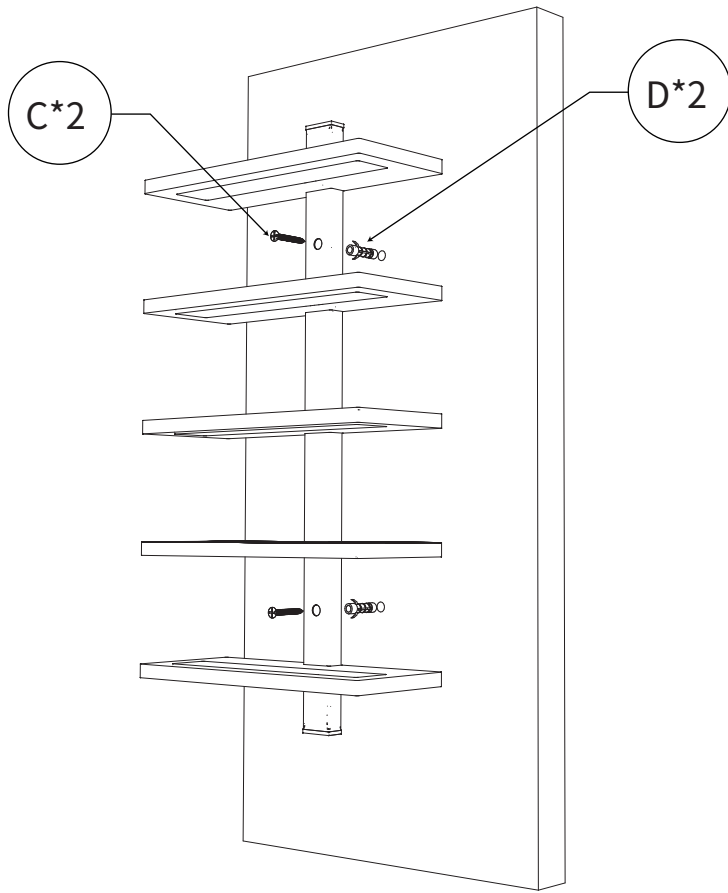
01



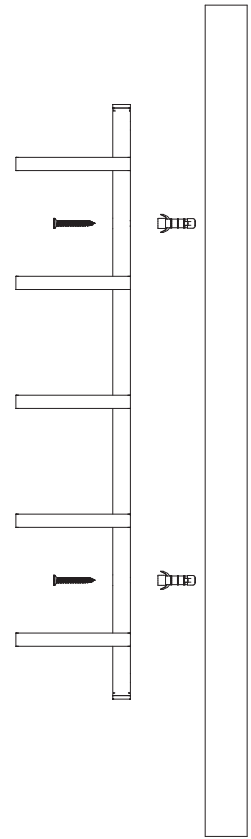
Other angles



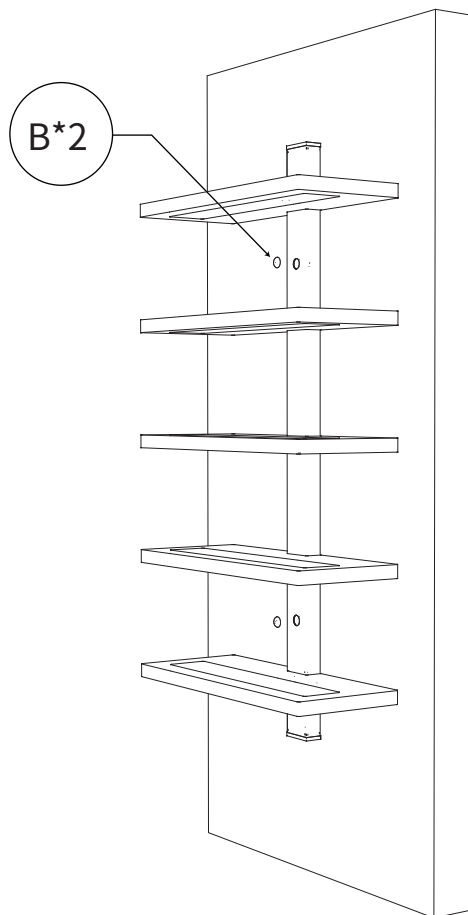
02



Other angles



03



Other angles

