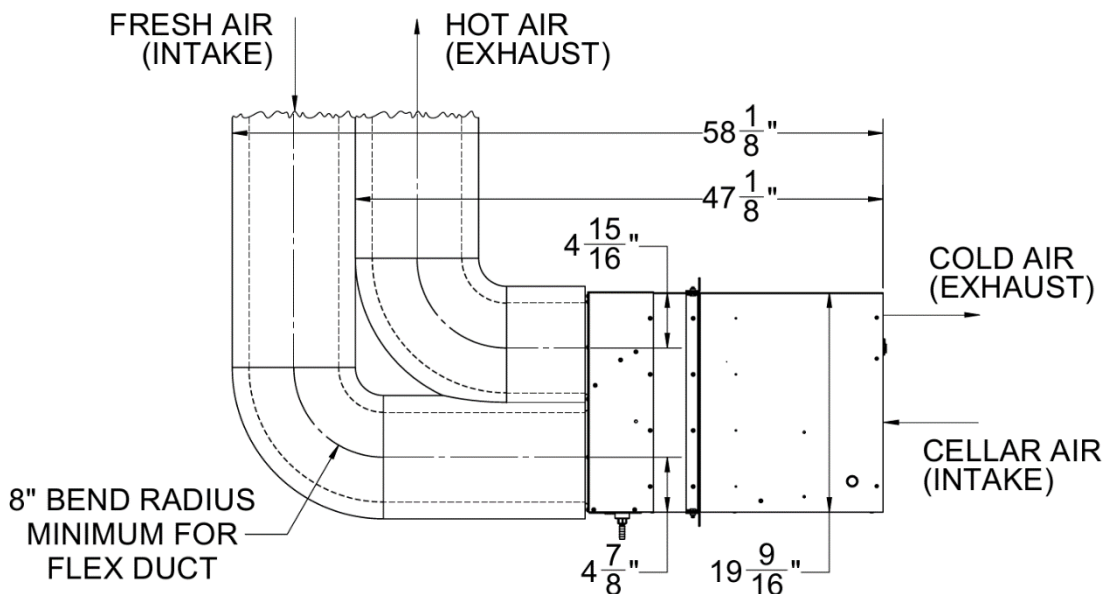
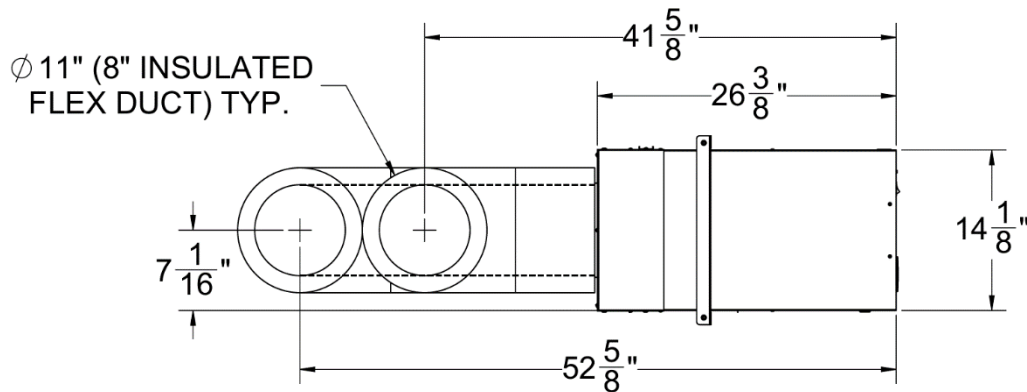
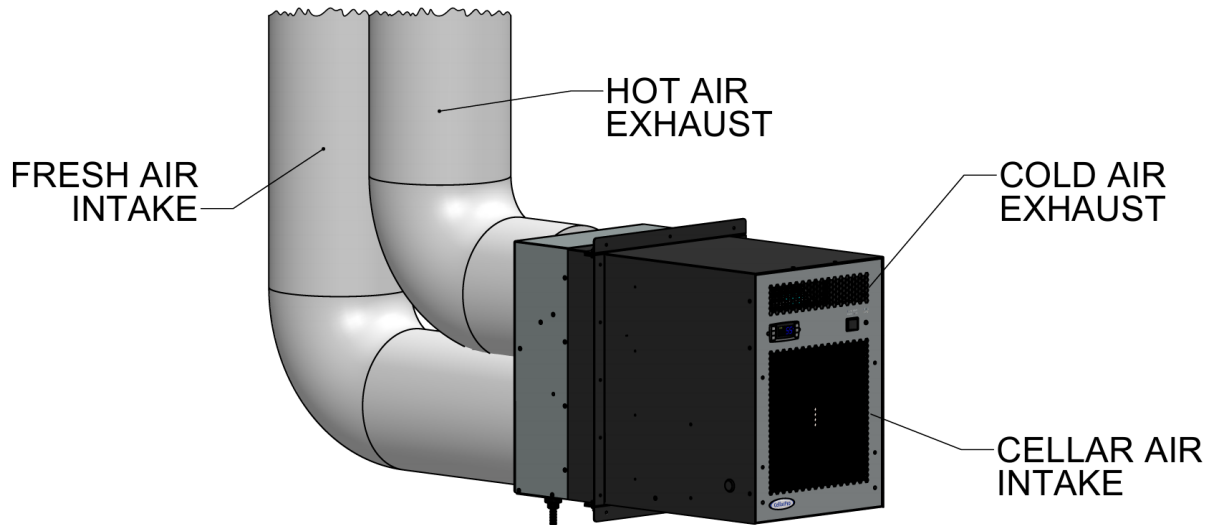
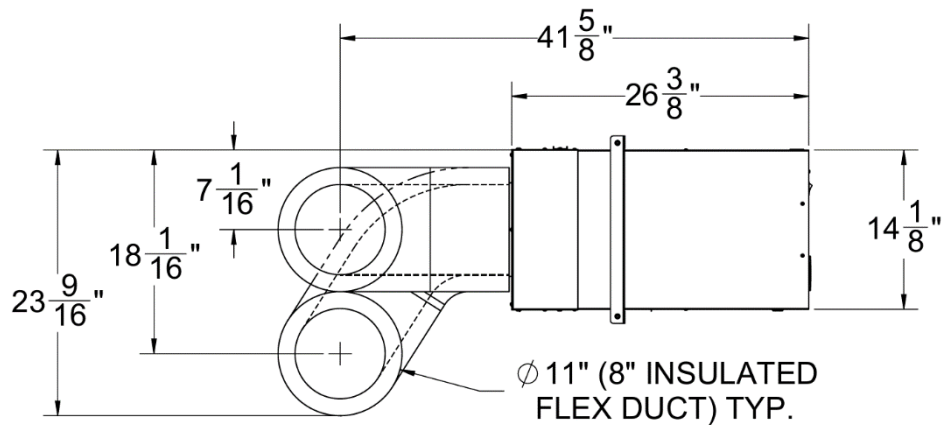
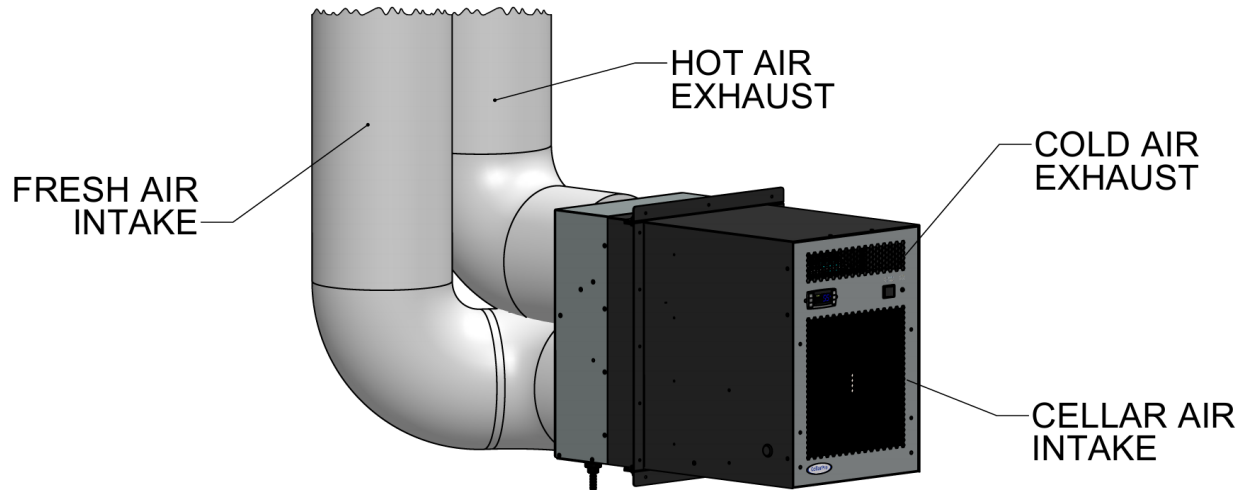


Option 1 – Back-to-Back



Option 2 – Side-by-Side



FRESH AIR (INTAKE, THIS SIDE)
HOT AIR (EXHAUST, FAR SIDE)

