

Evolution Wine Wall Post System

Installation Instructions for Wine Wall Post Systems (WW-FCP- SKUs)



Parts List:

(Post and Wine Wall racks sold separately; QTY or parts increases with multi-column installations)

Included with Post

(two required for standard install)

- (1) 10' Post [includes (1) Hollow Post Section and (1) c-Channel Post Section]
- (2) 6" Mounting Bases
- (96) Mounting Plate Screws
- Drill Bit
- [optional] (1) 2' Post c-channel Extension or 5' Post c-channel Extension

Wine Wall Base Rack

- (2) Steel Wine Wall Brackets (per rack)
- (QTY varies) Evolution Wine Rods
- (2 per Rod) Evolution Screw
- (1) 5mm Allen Key

Wine Wall Extensions

- (2) Wine Wall Brackets (per rack)
- (varies) Evolution Wine Rods
- (2 per Rod) Evolution Screw

Required Tools

- Drill (with torque setting)
- Phillips head drill bit
- Phillips head screwdriver
- Level
- Pencil or Marker
- Tape Measure
- Metal Cutting Saw
- Metal File
- Rubber Mallet (optional)
- M6 Driver (optional for Extensions)
- A handy friend

These installation instructions will assist you with installing the VintageView Evolution Wine Wall Post System (10', 12', or 15' configurations) in standard floor-to-ceiling applications. The Post System is designed for ceiling heights of up to 122" (310cm), 144" (366cm), 180" (458cm), respectively.

If using 5' Post; or Angled, Hidden, Floor-to-Wall, and other non-standard Mounting Bases, refer to specific instructions for complete installation details.

1. IDENTIFY HARDWARE

Using the chart at page bottom, identify the proper floor/ceiling hardware (not included) that will be needed for your specific project. For drywall surfaces, VintageView recommends installing to joists or wood backing when available.

2. MEASURE AND MARK

Measure the ceiling height of the location of the first Post. Subtract 1/2" (13mm) from the measurement.

Before installing the Mounting Plates, lay one Hollow Post Section, interlaced, with one c-Channel Post Section. Position the Post so that the measurement from top to bottom of the base plates equals your measurement from Step 1 (1/2" shorter than your installation height). Mark any overlap on the bottom of the Hollow Post Section. Do not mark/cut from the c-Channel Section.

Note: The Mounting Base inserted into the top of connected Post can telescope out 2" (51mm).

Guidelines for Floor/Ceiling Hardware

- Wood/Stud:** #8 x 1-1/4" course thread screws (or longer)
- Concrete, Brick, or Stucco:** 3/16" x 1-1/4" masonry screw or #8 x 1- 1/4" screw with appropriate size expanding anchor
- Drywall:** Expanding hollow wall anchors with at least #8 screw size





** OPTIONAL 12' or 15' ADJUSTMENT**

If using a Wine Wall extension section (SKUs: WW-FCP-2, WW-FCP-12, or WW-FCP-15), complete Step 3.

3. INSERT EXTENSION

Slide the Hollow Post Section onto the c-channel of the 2' or 5' Extension. It may require a Rubber Mallet to connect fully.

4. CUT THE POST

Using a Metal Cutting Saw, squarely cut each Hollow Post Section (top) at the mark. Do not use abrasive saws as they may damage the finish.

5. INSERT MOUNTING BASES

Insert (1) Mounting Base into the open end of the C-Channel Post Section. Mounting Base must be fully inserted into the remaining c-channel Post (Figure A). Secure the Mounting Base into the bottom only with (2) self-drilling screws through the predrilled holes.

Insert Mounting Base into the Hollow Post Section (top). Do not secure with screws yet to allow for height flexibility.

6. CONNECT THE POSTS

Slide the Hollow Post Section onto the c-channel of the other Post Section. It may require a Rubber Mallet to connect fully (Figure B).

7. MARK CEILING/ FLOOR MOUNTING HOLES

Place the first Post in the desired location. Ensure it is plumb with a level and mark the mounting holes on both the ceiling and the floor. Set the configuration aside and pre-drill any required pilot holes to floor or ceiling based on hardware selection.

8. MARK MOUNTING HOLES

Lay each Evolution Wine Wall Mounting Bracket in the desired location on the first Post (Figure C). Starting from the bottom up, mark all mounting hole locations on the front side (or both the front and the back side if installing a double-sided Wine Wall Post System).

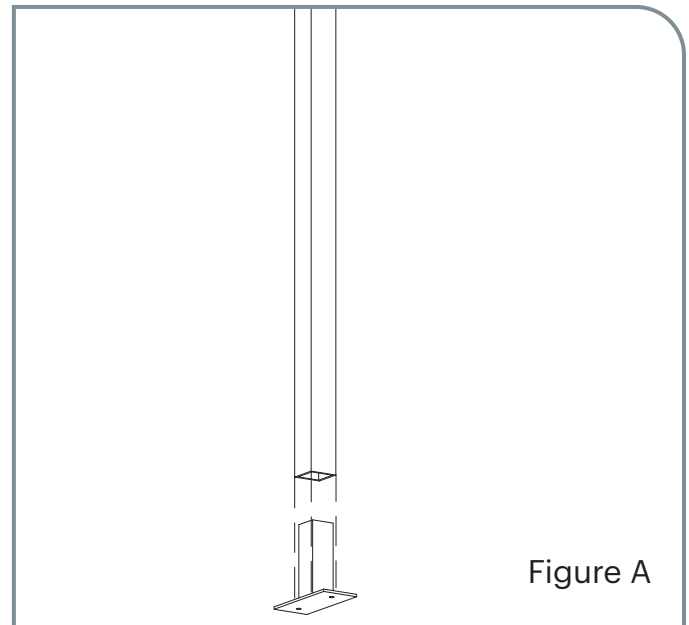


Figure A

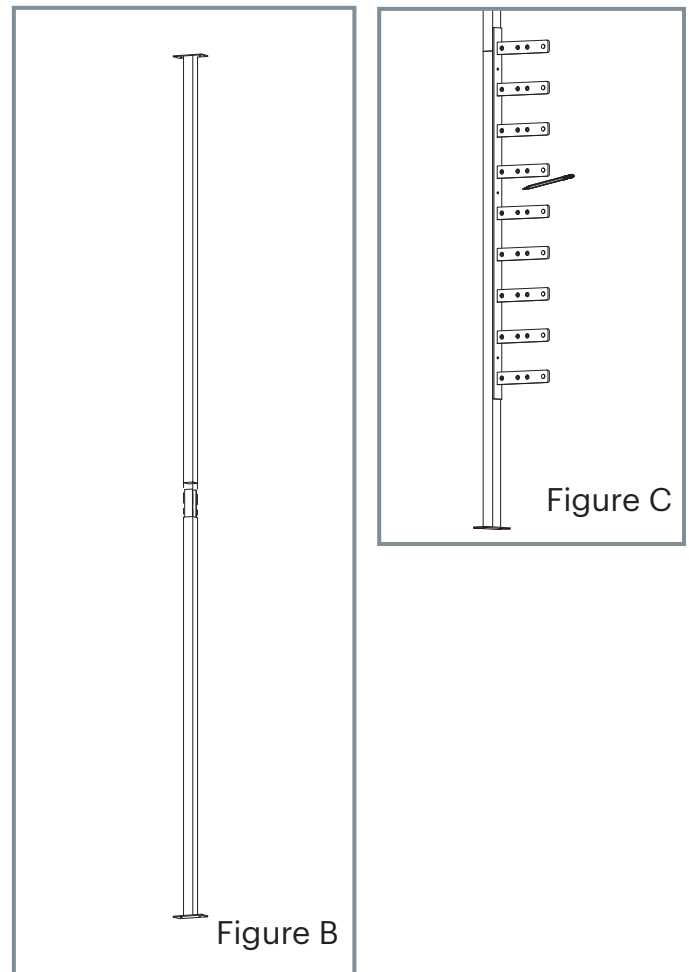


Figure B

Figure C





Recommendation: Racking can be installed parallel or adjacent to the direction the Mounting Bases will face. Pick configuration that aligns best with your design. (Figure D).

9. PRE-DRILL MOUNTING HOLES

Using the provided Drill Bit, pre-drill all marked mounting hole locations.

10. INSTALL FIRST MOUNTING BRACKETS

Attach the lower Wine Wall Bracket, starting with the lowest mounting point and using self-drilling screws (provided). Repeat with any additional Brackets being installed on the Post above and/or opposite side.

11. INSTALL THE FIRST POST

Stand the first Post in the desired location and ensure it is plumb both front and back and side-to-side with a level (Figure E).

Secure the Post to the ceiling using two (2) of the appropriate fasteners (not provided). You can adjust the Mounting Base to meet the ceiling for a variance of up to 2" (51mm). Once the top Mounting Base is fully installed to the ceiling, secure it to the Post using (2) self-drilling screws through the pre-drilled holes.

12. ATTACH RACKING TO FIRST POST

Insert one Evolution Screw through one Mounting Bracket on the Wall Bracket. Thread one Evolution Wine Rod onto the Evolution Screw and fully tighten with provided 5mm allen key. Repeat with all Rods in this column (Figure F).

Protip: Use a hex key drill bit and a drill on a low-torque setting to speed this step up.

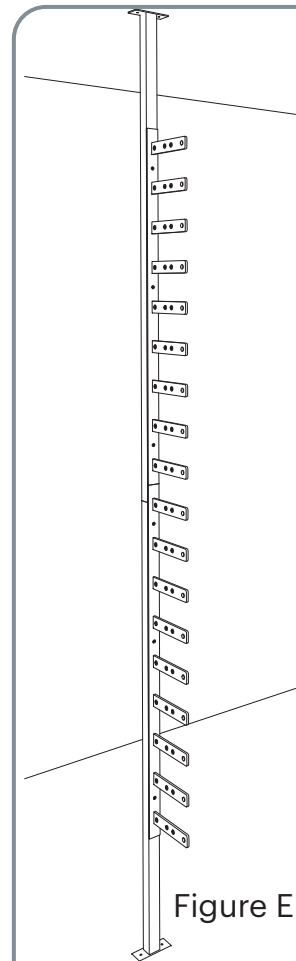


Figure E

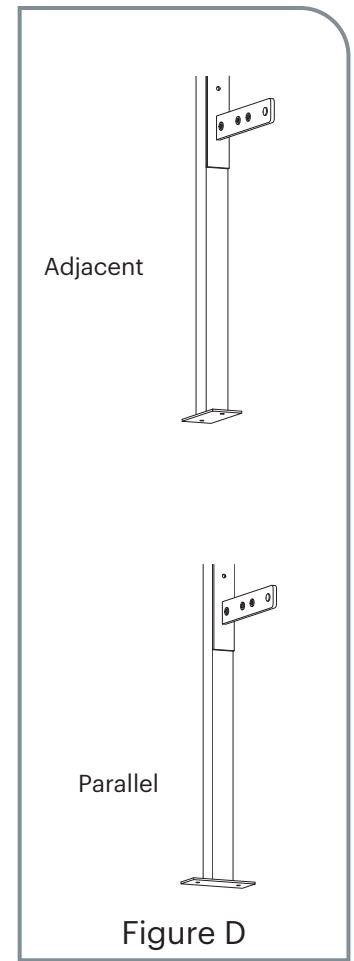


Figure D

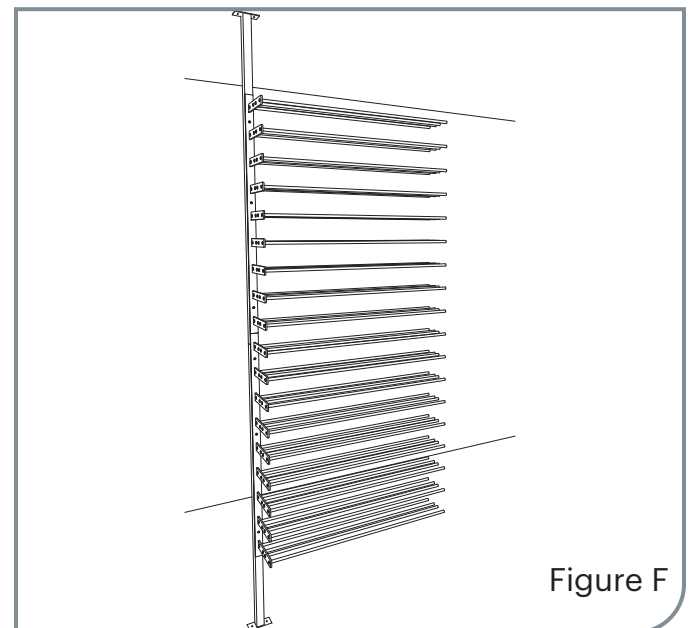


Figure F





13. MEASURE, MARK, CUT THE NEXT POST

With the first Post in place and the Wine Rods dangling from it, repeat steps 2-11 to get the next Post aligned in the proper place. The dangling Rods should be able to brush up against the Mounting Brackets (Figure G).

Double check the Wine Wall Post System is plumb and secure the Posts to the floor using two (2) of the appropriate fasteners (not provided).

14: CONNECT WINE RODS Single Column Installations

Insert one Evolution Screw through one assembly hole location on the Wine Wall Mounting Bracket. Thread one Evolution Wine Rod onto the Evolution Screw and fully tighten with provided 5mm allen key (Figure H). Repeat for all Wine Rods.

If project includes only one column of wine racking, skip to step 17.

Multi Column Installations

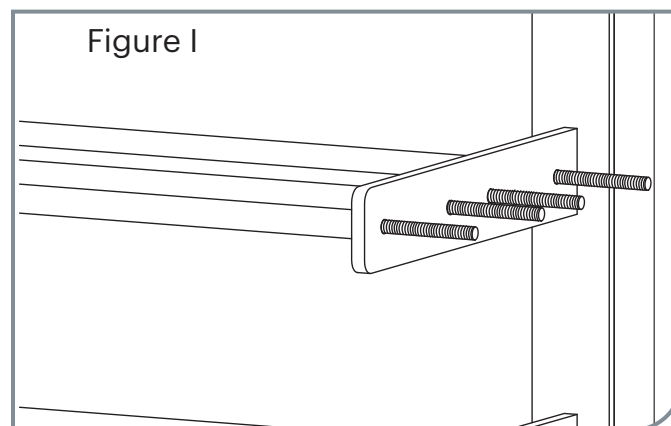
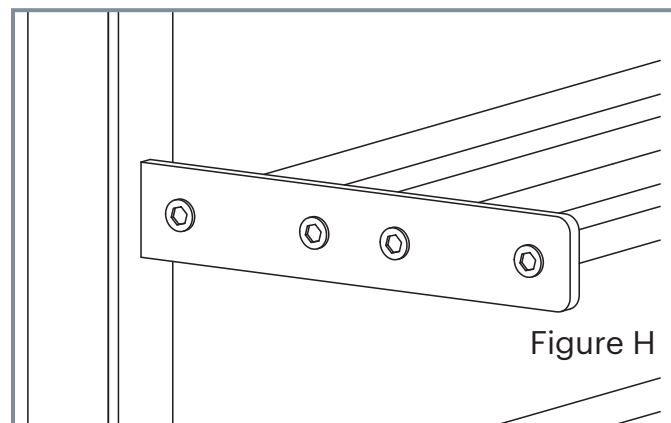
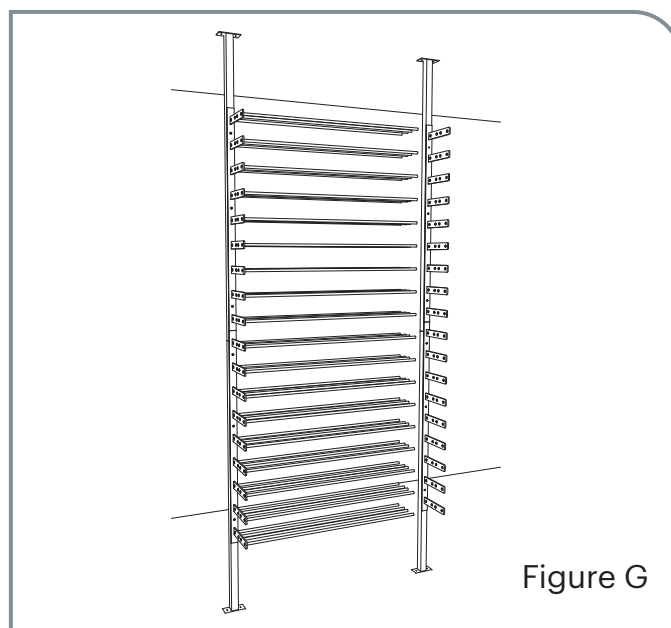
Fasten one Wine Rods to the Wine Wall Mounting Brackets using Evolution Studs. Half of the Stud will protrude out to start your next column (Figure I). Repeat with all other Wine Rods until first Wine Wall Post column is fully assembled.

Proceed to next step.

OPTIONAL STEPS FOR MULTI COLUMN DISPLAYS

15. BUILD THE NEXT POST

Repeat steps 2-11 to build and place the next post (Figure J, next page).





16. CONNECT WINE RODS

If final column

Insert one Evolution Screw through one assembly hole location on the Wine Wall Mounting Bracket. Thread one Evolution Rod onto the Evolution Screw and fully tighten with provided 5mm allen key.

If project includes only one column of wine racking, skip to step 17.

If adding more columns

Fasten one Wine Rods to the Wine Wall Mounting Brackets using Evolution Studs. Half of the Stud will protrude out to start your next column. Repeat with all other Wine Rods until first Wine Wall Post column is fully assembled.

Repeat steps 15-16 for as many columns of racking desired.

17. ADD WINE

Preferably the good stuff.

Maintenance and Care:

The Evolution Wine Wall Post is covered by a lifetime warranty against factory defects.

Wine Wall components should be regularly checked for tightness. Should any piece be found to be loose, tighten by hand (Rods) or screwdriver (Mounting Bracket) until secure.

The Evolution Wine Wall Post may be cleaned with a dry cloth or compressed air. Use rubbing alcohol for stubborn stains or marks.

Avoid household cleaners, chemicals, abrasive pads or steel wool as they will damage the finished surfaces of the parts.

Our racks are covered by a limited lifetime manufacturer's warranty. Learn more at vintageview.com/warranty

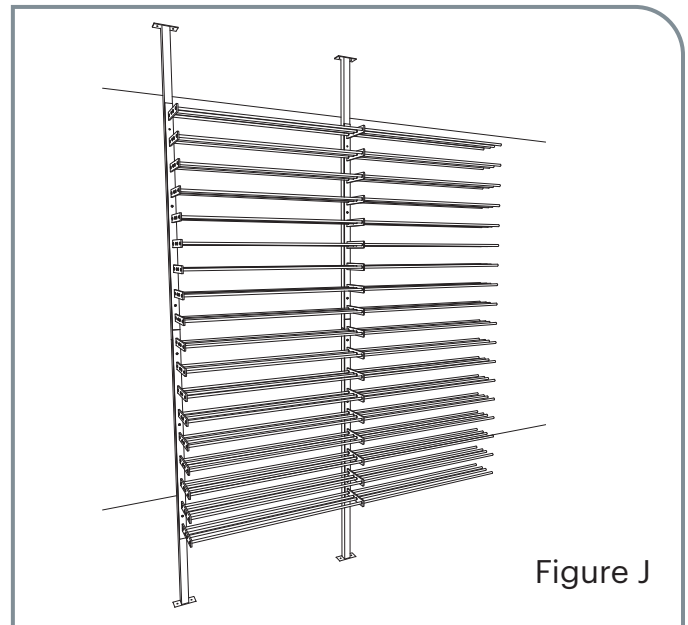


Figure J

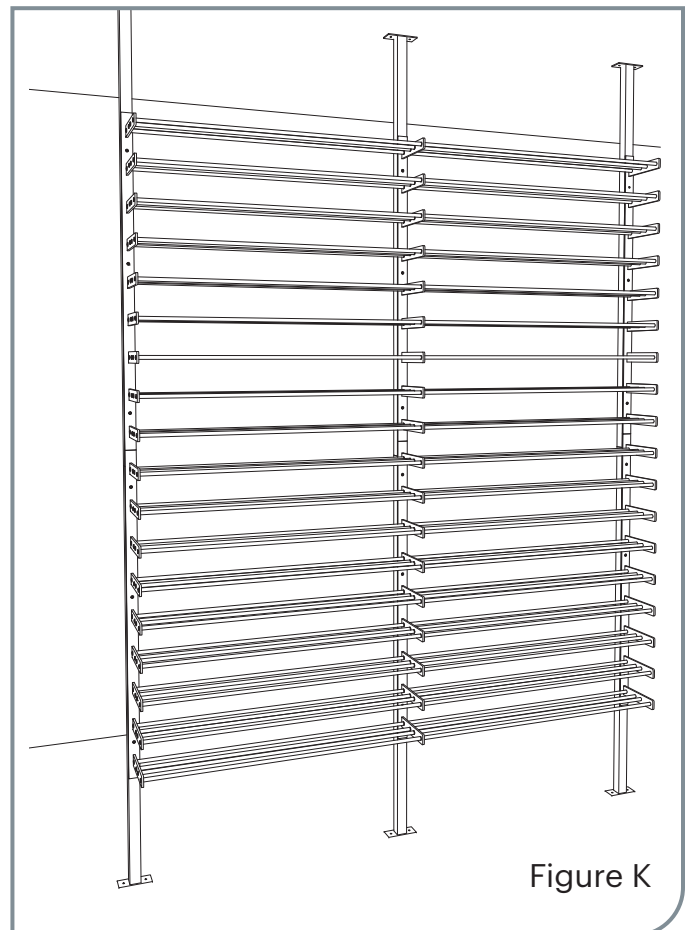


Figure K

