



# WINE PEGS

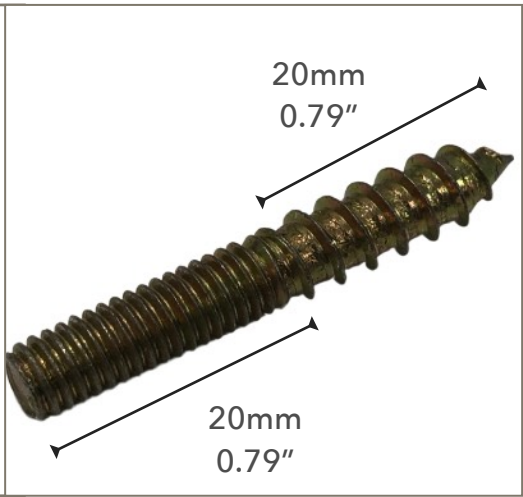
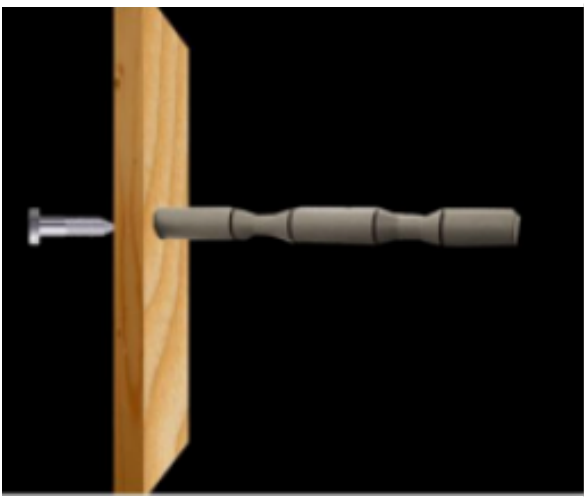
Installation Instruction

INSTALLATION METHOD A: WINE PEGS WITH SUPPORT BOARD

INSTALLATION METHOD B: WINE PEGS DIRECTLY ON THE WALL

# A. INSTALL WINE PEGS TO THE WOOD BOARD THEN FIX IT ON THE WALL

1. To the wood board



Connector Bolt M6X30MM  
Size: 6\*30mm  
Install the pegs from the back of the support board.

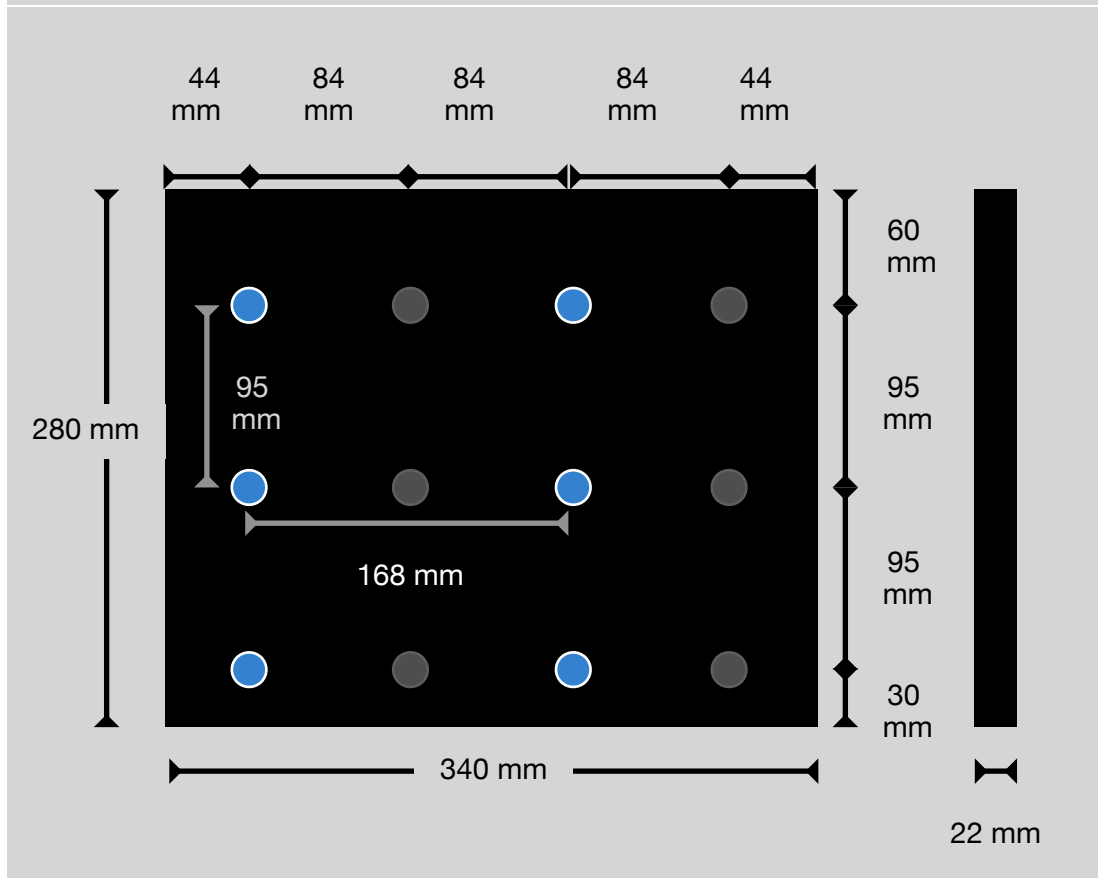
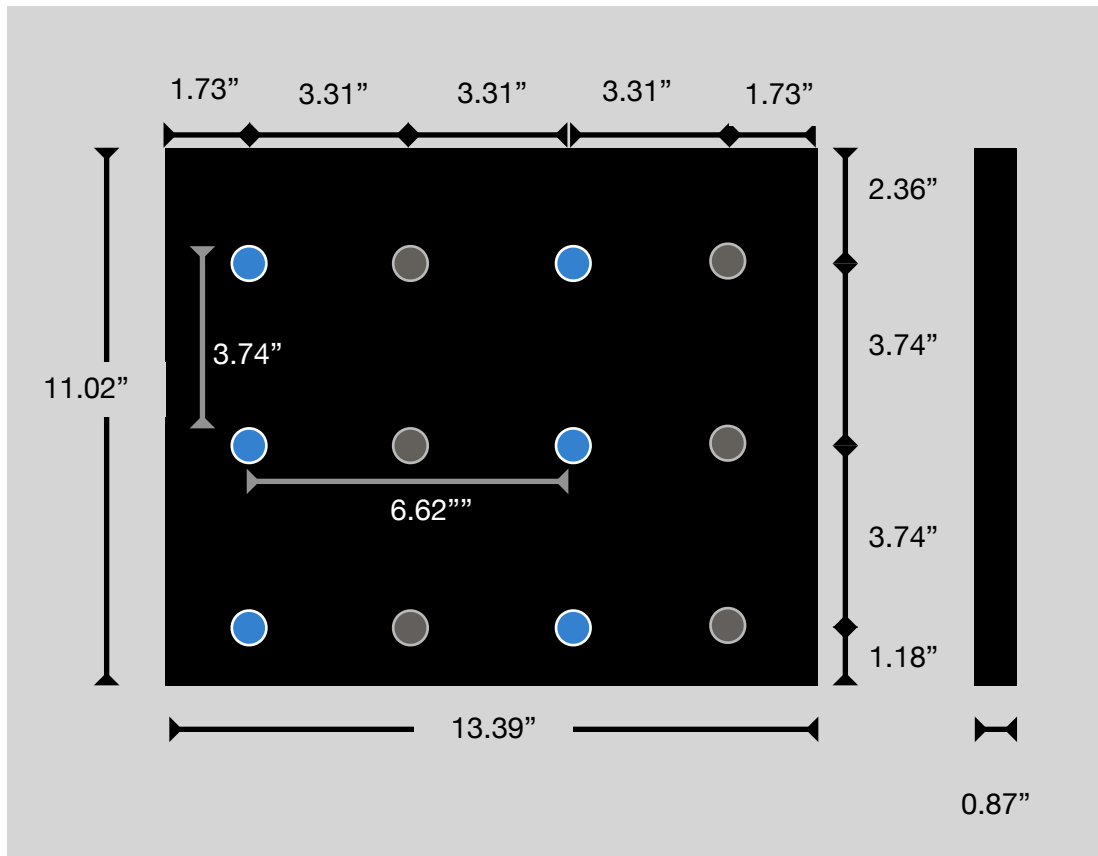
Hanger Bolt M6X50MM  
Size: 6\*50mm  
Install the pegs from the front of the support board.

2. Fix on the wall

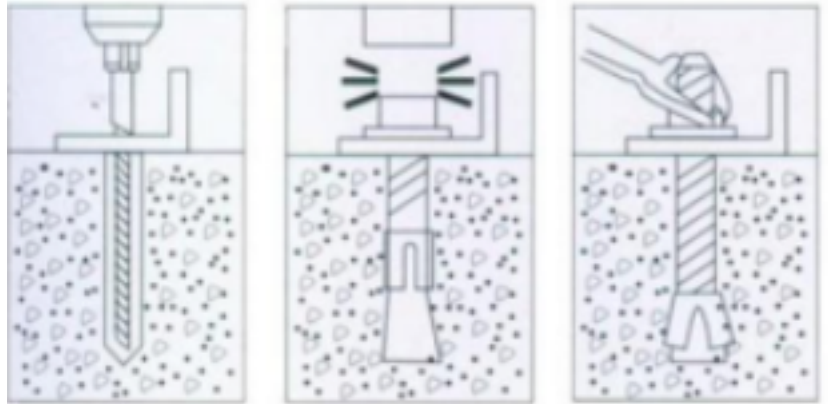


# SUPPORT BOARD DIMENSIONS

**NOTE:** The pegs are supposed to install on the pre-drilled holes marked in blue.



# B. DIRECTLY FIX IT ON THE WALL



1. Drill holes on the wall using an electric driller
2. Put expansion screws into the holes
3. Tighten the expansion screws with a wrench
4. Screw in the wine pegs



# Wall Mounted Wine Peg | Label-Forward

