



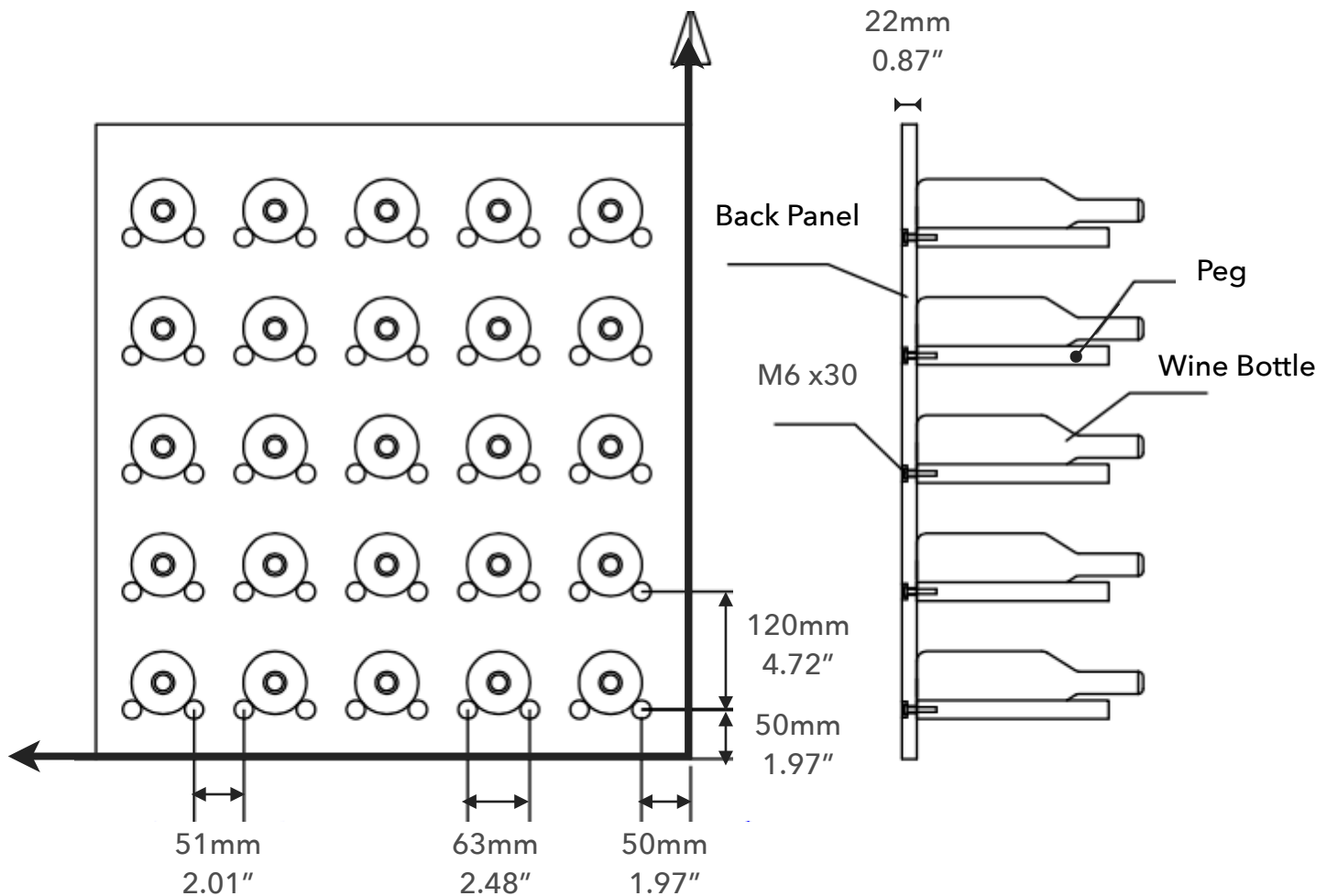
# WINE PEGS CORK FORWARD

Installation Instruction

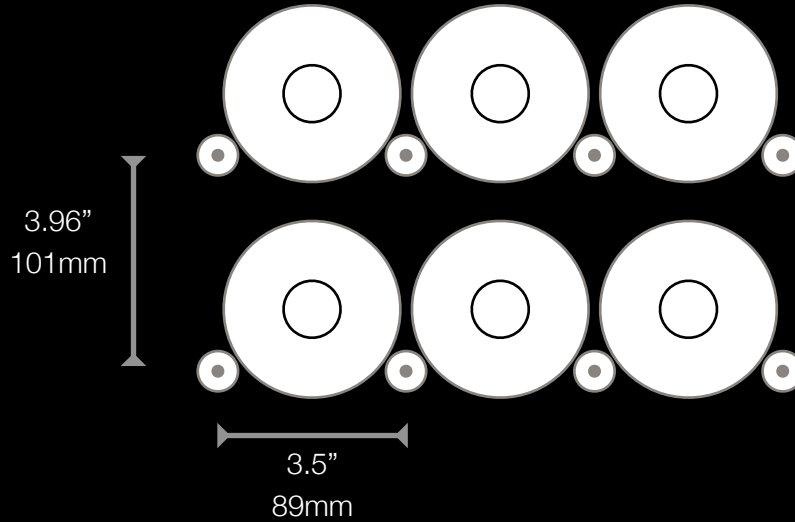
# CORK-FORWARD DISPLAY \_ TYPE A



Wine Peg Diameter: 12 mm | 18 mm



# CORK-FORWARD DISPLAY \_ TYPE B



**Wine Peg Diameter: 18D mm | 24D mm**

**Note:**

The layout above is provided as a reference only. You have the flexibility to adjust the spacing to suit your specific requirements.

	UNIT (INCH)		UNIT (MM)	
	Standard Bordeaux	Champagne	Standard Bordeaux	Champagne
P=Diameter of The Peg	0.71	0.71	18	18
B=Diameter of The Bottle	2.75	3.25	70	83
$B+2 < X < B+P-6$ (mm) $B+0.1 < X < B+P-0.25$ (inch) (X is the horizontal distance between 2 pegs)	$2.85 < X < 3.21$ "	$3.35 < X < 3.71$ "	$72 < X < 82$	$85 < X < 96$
X=B+P/3 (recommend)	3.0	3.5	76	89
$Y=X+10\text{mm}$   $Y=X+0.4$ " (Y is the vertical distance between 2 pegs)	3.4	3.9	86	99

# BOTTLE SIZES AND SPACING | TYPE-B

BOTTLE SIZE (B)	PEG DIAMETER (P)		HORIZONTAL SPACING (mm)																											
	B+2 (MIN)	24 B+P-6 (MAX)	70	71	72	73	74	75	76	77	78	79	80	81	82	83	84	85	86	87	88	89	90	91	92	93	94	95	96	
70	72	88			72	73	74	75	76	77	78	79	80	81	82	83	84	85	86	87	88									
71	73	89				73	74	75	76	77	78	79	80	81	82	83	84	85	86	87	88	89								
72	74	90					74	75	76	77	78	79	80	81	82	83	84	85	86	87	88	89	90							
73	75	91						75	76	77	78	79	80	81	82	83	84	85	86	87	88	89	90	91						
74	76	92							76	77	78	79	80	81	82	83	84	85	86	87	88	89	90	91	92					
75	77	93								77	78	79	80	81	82	83	84	85	86	87	88	89	90	91	92	93				
76	78	94									78	79	80	81	82	83	84	85	86	87	88	89	90	91	92	93	94			
77	79	95										79	80	81	82	83	84	85	86	87	88	89	90	91	92	93	94	95		
78	80	96											80	81	82	83	84	85	86	87	88	89	90	91	92	93	94	95	96	
79	81	97												81	82	83	84	85	86	87	88	89	90	91	92	93	94	95	96	
80	82	98													82	83	84	85	86	87	88	89	90	91	92	93	94	95	96	
81	83	99														83	84	85	86	87	88	89	90	91	92	93	94	95	96	
82	84	100															84	85	86	87	88	89	90	91	92	93	94	95	96	
83	85	101																85	86	87	88	89	90	91	92	93	94	95	96	
84	86	102																	86	87	88	89	90	91	92	93	94	95	96	
85	87	103																		87	88	89	90	91	92	93	94	95	96	
86	88	104																			88	89	90	91	92	93	94	95	96	
87	89	105																				89	90	91	92	93	94	95	96	
88	90	106																					90	91	92	93	94	95	96	
89	91	107																						91	92	93	94	95	96	
90	92	108																							92	93	94	95	96	

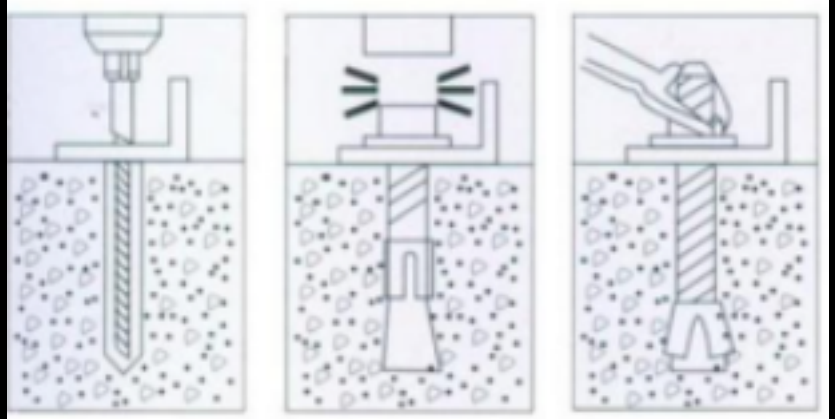
BOTTLE SIZE (B)	PEG DIAMETER (P)		HORIZONTAL SPACING (mm)																											
	B+2 (MIN)	18 B+P-6 (MAX)	70	71	72	73	74	75	76	77	78	79	80	81	82	83	84	85	86	87	88	89	90	91	92	93	94	95	96	
70	72	82			72	73	74	75	76	77	78	79	80	81	82															
71	73	83				73	74	75	76	77	78	79	80	81	82	83														
72	74	84					74	75	76	77	78	79	80	81	82	83	84													
73	75	85						75	76	77	78	79	80	81	82	83	84	85												
74	76	86							76	77	78	79	80	81	82	83	84	85	86											
75	77	87								77	78	79	80	81	82	83	84	85	86	87										
76	78	88									78	79	80	81	82	83	84	85	86	87	88									
77	79	89										79	80	81	82	83	84	85	86	87	88	89								
78	80	90											80	81	82	83	84	85	86	87	88	89	90							
79	81	91												81	82	83	84	85	86	87	88	89	90	91						
80	82	92													82	83	84	85	86	87	88	89	90	91	92					
81	83	93														83	84	85	86	87	88	89	90	91	92	93				
82	84	94															84	85	86	87	88	89	90	91	92	93	94			
83	85	95																85	86	87	88	89	90	91	92	93	94	95		
84	86	96																	86	87	88	89	90	91	92	93	94	95	96	
85	87	97																		87	88	89	90	91	92	93	94	95	96	
86	88	98																			88	89	90	91	92	93	94	95	96	
87	89	99																				89	90	91	92	93	94	95	96	
88	90	100																					90	91	92	93	94	95	96	
89	91	101																						91	92	93	94	95	96	
90	92	102																							92	93	94	95	96	

# BOTTLE SIZES AND SPACING I TYPE-B

BOTTLE SIZE (B)	PEG DIAMETER (P)	0.95	HORIZONTAL SPACING (inch)																											
	B+0.1 (MIN)		B+P-0.25 (MAX)	2.76	2.8	2.83	2.87	2.91	2.95	2.99	3.03	3.07	3.11	3.15	3.19	3.23	3.27	3.31	3.35	3.39	3.43	3.46	3.5	3.54	3.58	3.62	3.66	3.7	3.74	3.78
2.76	2.86	3.46				2.87	2.91	2.95	2.99	3.03	3.07	3.11	3.15	3.19	3.23	3.27	3.31	3.35	3.39	3.43	3.46									
2.8	2.9	3.5					2.91	2.95	2.99	3.03	3.07	3.11	3.15	3.19	3.23	3.27	3.31	3.35	3.39	3.43	3.46	3.5								
2.83	2.93	3.53						2.95	2.99	3.03	3.07	3.11	3.15	3.19	3.23	3.27	3.31	3.35	3.39	3.43	3.46	3.5								
2.87	2.97	3.57							2.99	3.03	3.07	3.11	3.15	3.19	3.23	3.27	3.31	3.35	3.39	3.43	3.46	3.5	3.54							
2.91	3.01	3.61								3.03	3.07	3.11	3.15	3.19	3.23	3.27	3.31	3.35	3.39	3.43	3.46	3.5	3.54	3.58						
2.95	3.05	3.65									3.07	3.11	3.15	3.19	3.23	3.27	3.31	3.35	3.39	3.43	3.46	3.5	3.54	3.58	3.62					
2.99	3.09	3.69										3.11	3.15	3.19	3.23	3.27	3.31	3.35	3.39	3.43	3.46	3.5	3.54	3.58	3.62	3.66				
3.03	3.13	3.73											3.15	3.19	3.23	3.27	3.31	3.35	3.39	3.43	3.46	3.5	3.54	3.58	3.62	3.66	3.7			
3.07	3.17	3.77												3.19	3.23	3.27	3.31	3.35	3.39	3.43	3.46	3.5	3.54	3.58	3.62	3.66	3.7	3.74		
3.11	3.21	3.81													3.23	3.27	3.31	3.35	3.39	3.43	3.46	3.5	3.54	3.58	3.62	3.66	3.7	3.74	3.78	
3.15	3.25	3.85														3.27	3.31	3.35	3.39	3.43	3.46	3.5	3.54	3.58	3.62	3.66	3.7	3.74	3.78	
3.19	3.29	3.89															3.31	3.35	3.39	3.43	3.46	3.5	3.54	3.58	3.62	3.66	3.7	3.74	3.78	
3.23	3.33	3.93																3.35	3.39	3.43	3.46	3.5	3.54	3.58	3.62	3.66	3.7	3.74	3.78	
3.27	3.37	3.97																	3.39	3.43	3.46	3.5	3.54	3.58	3.62	3.66	3.7	3.74	3.78	
3.31	3.41	4.01																		3.43	3.46	3.5	3.54	3.58	3.62	3.66	3.7	3.74	3.78	
3.35	3.45	4.05																			3.46	3.5	3.54	3.58	3.62	3.66	3.7	3.74	3.78	
3.39	3.49	4.09																				3.5	3.54	3.58	3.62	3.66	3.7	3.74	3.78	
3.43	3.53	4.13																					3.54	3.58	3.62	3.66	3.7	3.74	3.78	
3.46	3.56	4.16																						3.58	3.62	3.66	3.7	3.74	3.78	
3.5	3.6	4.2																							3.62	3.66	3.7	3.74	3.78	
3.54	3.64	4.24																								3.66	3.7	3.74	3.78	

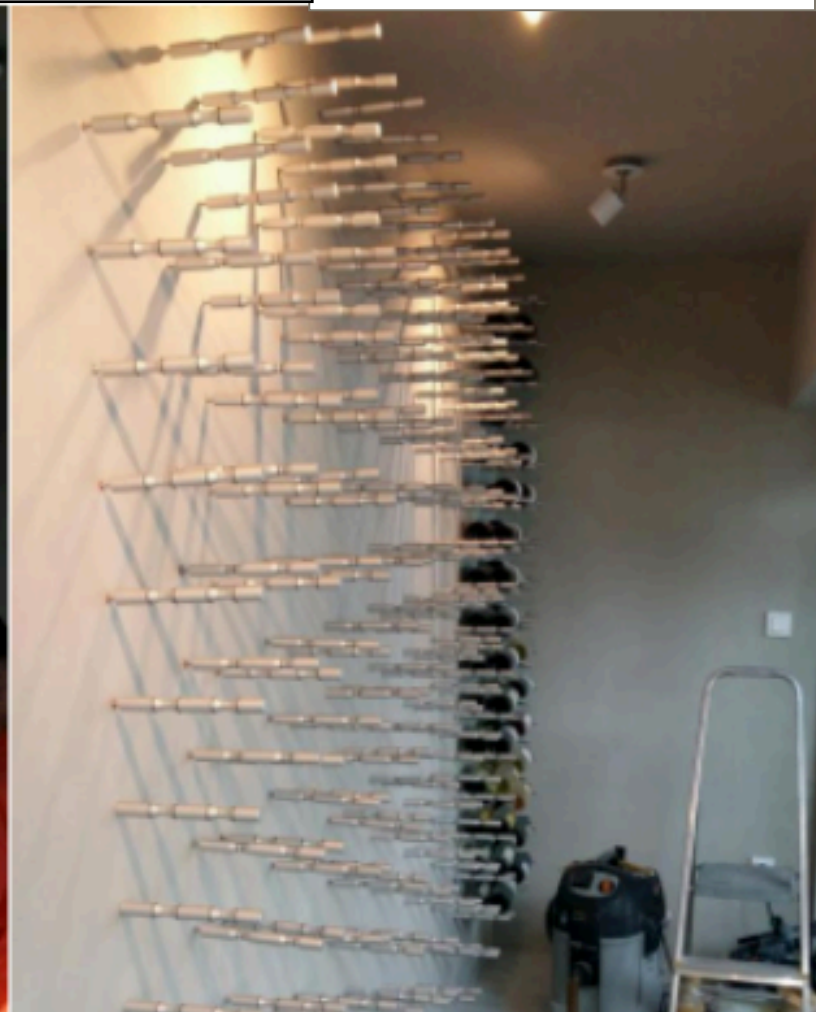
BOTTLE SIZE (B)	PEG DIAMETER (P)	0.71	HORIZONTAL SPACING (inch)																												
	B+0.1 (MIN)		B+P-0.25 (MAX)	2.76	2.8	2.83	2.87	2.91	2.95	2.99	3.03	3.07	3.11	3.15	3.19	3.23	3.27	3.31	3.35	3.39	3.43	3.46	3.5	3.54	3.58	3.62	3.66	3.7	3.74	3.78	
2.76	2.86	3.22					2.87	2.91	2.95	2.99	3.03	3.07	3.11	3.15	3.19																
2.8	2.9	3.26						2.91	2.95	2.99	3.03	3.07	3.11	3.15	3.19	3.23															
2.83	2.93	3.29							2.95	2.99	3.03	3.07	3.11	3.15	3.19	3.23	3.27														
2.87	2.97	3.33								2.99	3.03	3.07	3.11	3.15	3.19	3.23	3.27	3.31													
2.91	3.01	3.37									3.03	3.07	3.11	3.15	3.19	3.23	3.27	3.31	3.35												
2.95	3.05	3.41										3.07	3.11	3.15	3.19	3.23	3.27	3.31	3.35	3.39											
2.99	3.09	3.45											3.11	3.15	3.19	3.23	3.27	3.31	3.35	3.39	3.43										
3.03	3.13	3.49												3.15	3.19	3.23	3.27	3.31	3.35	3.39	3.43	3.46									
3.07	3.17	3.53													3.19	3.23	3.27	3.31	3.35	3.39	3.43	3.46	3.5								
3.11	3.21	3.57														3.23	3.27	3.31	3.35	3.39	3.43	3.46	3.5	3.54							
3.15	3.25	3.61															3.27	3.31	3.35	3.39	3.43	3.46	3.5	3.54	3.58						
3.19	3.29	3.65																3.31	3.35	3.39	3.43	3.46	3.5	3.54	3.58	3.62					
3.23	3.33	3.69																	3.35	3.39	3.43	3.46	3.5	3.54	3.58	3.62	3.66				
3.27	3.37	3.73																		3.39	3.43	3.46	3.5	3.54	3.58	3.62	3.66	3.7			
3.31	3.41	3.77																			3.43	3.46	3.5	3.54	3.58	3.62	3.66	3.7	3.74		
3.35	3.45	3.81																				3.46	3.5	3.54	3.58	3.62	3.66	3.7	3.74	3.78	
3.39	3.49	3.85																					3.5	3.54	3.58	3.62	3.66	3.7	3.74	3.78	
3.43	3.53	3.89																						3.54	3.58	3.62	3.66	3.7	3.74	3.78	
3.46	3.56	3.92																							3.58	3.62	3.66	3.7	3.74	3.78	
3.5	3.6	3.96																								3.62	3.66	3.7	3.74	3.78	
3.54	3.64	4																									3.66	3.7	3.74	3.78	

# INSTALLATION-1: DIRECT ON THE WALL



1. Drill holes on the wall using an electric driller
2. Put expansion screws (or hanger bolt )into the holes
3. Tighten the expansion screws with a wrench
4. Screw in the wine pegs

Hanger Bolt M6X50MM  
Size: 6\*50mm  
Install the pegs from the front of  
the support board.



# INSTALLATION-2: INSTALL ON THE BOARD, THEN FIX IT ON THE WALL



# SUPPORT BOARD DIMENSIONS

**NOTE:** The pre-drilled holes are specifically designed for bottles up to 82mm in diameter.

